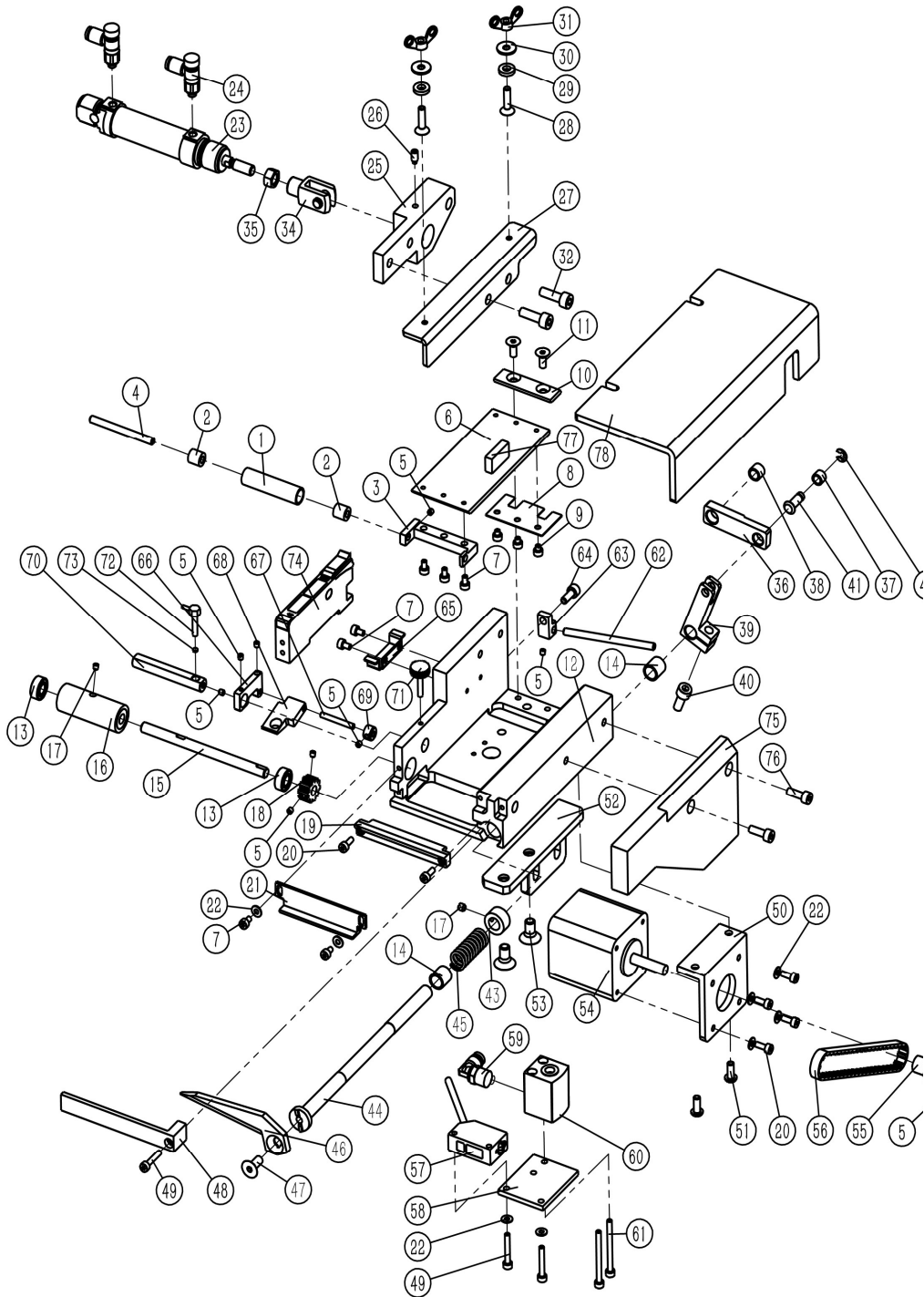


9.1 Transport Device



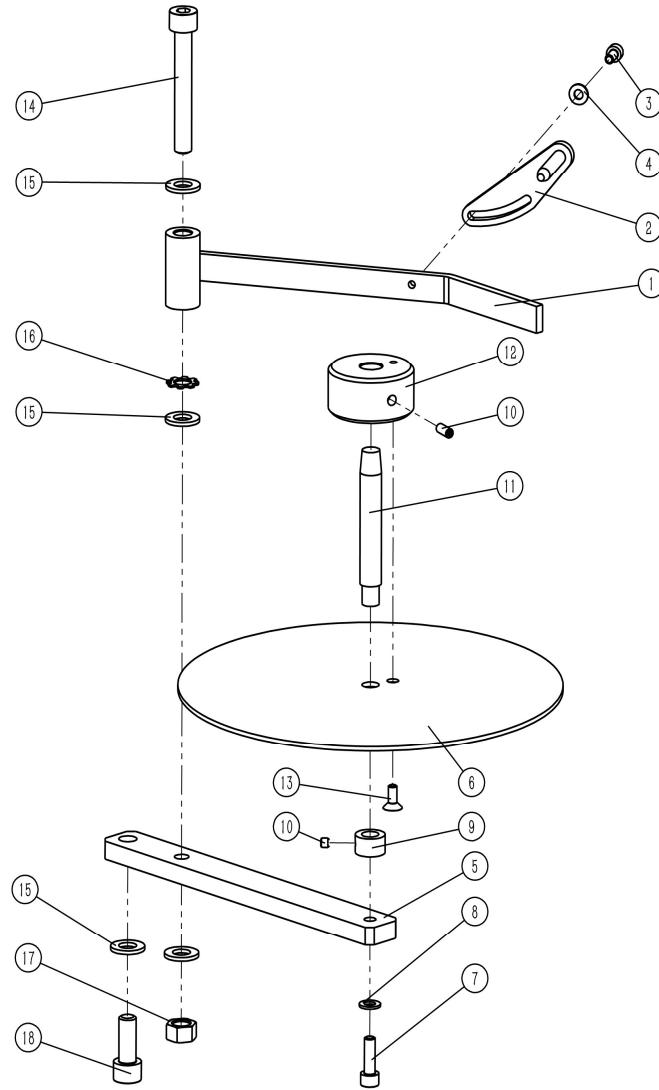
9.1 Transport Device

| 序号 NO. | 公司件号 Part NO. | 名称 PartName |
|--------|---------------|--------------------------------|
| 1 | 48125010 | Lower roller |
| 2 | B09001 | Needle bearing |
| 3 | 48109086 | Roller stand |
| 4 | 48102062 | Lower roller shaft |
| 5 | 207S14014 | Set screw M3 × 3 |
| 6 | 48112001 | Feed plate |
| 7 | S05021 | Screw M3 × 5 |
| 8 | 48112061 | Spring plate |
| 9 | S05911 | Screw M3 × 3 |
| 10 | 48112062 | Spring leaf pressure plate |
| 11 | 48109001 | Feeding rack |
| 12 | S02104 | Countersunk head screw M4 × 10 |
| 13 | B01001 | Bearing |
| 14 | 48103056 | Cylindrical sleeve φ8 |
| 15 | 48102001 | Rubber roller shaft |
| 16 | 4812500700 | Scroll wheel |
| 17 | 413S14006 | Screw M4 × 4 |
| 18 | 48125002 | Driven synchronous pulley |
| 19 | 48119002 | Cutting knife |
| 20 | S05403 | Screw M3 × 8 |
| 21 | 48109002 | Feed limit plate |
| 22 | W01002 | M3 gasket |
| 23 | 48145308 | Cylindrical cylinder 16 × 10 |
| 24 | 42130032 | Throttle |
| 25 | 48109080 | Cylinder fixing frame |
| 26 | S09114 | Screw M5 × 5 |
| 27 | 48112008 | Protective cover fixing plate |
| 28 | S02106 | Screw M4 × 16 |
| 29 | 48128002 | Flat pad M4 |
| 30 | W01041 | M4 large gasket |
| 31 | 481S16001 | Wing nut M4 |
| 32 | S05092 | Screw M5 × 20 |
| 33 | W01004 | M5 gasket |
| 34 | 48145022 | Cylinder fork head M6 × 12 |
| 35 | 701S16017 | Nut M6 |
| 36 | 48105001 | Cutter shaft connecting rod |
| 37 | 48103057 | Cylindrical sleeve φ5 |
| 38 | 48103058 | Cylindrical shaft sleeve φ6 |
| 39 | 48109078 | Connecting frame |
| 40 | S05005 | Screw M5 × 12 |
| 41 | 48102074 | Short sale |
| 42 | H05018 | Circlip 3.5 |
| 43 | 48103053 | Collar |
| 44 | 48102058 | Knife spindle |
| 45 | 48127001 | Cutter shaft spring |
| 46 | 48119001 | Cutting knife |
| 47 | S02053 | Countersunk head screw M5 × 12 |
| 48 | 48109003 | Movable knife guard |
| 49 | 701S13033 | Screw M3 × 16 |
| 50 | 48109083 | Motor bracket |

9.1 传送装置

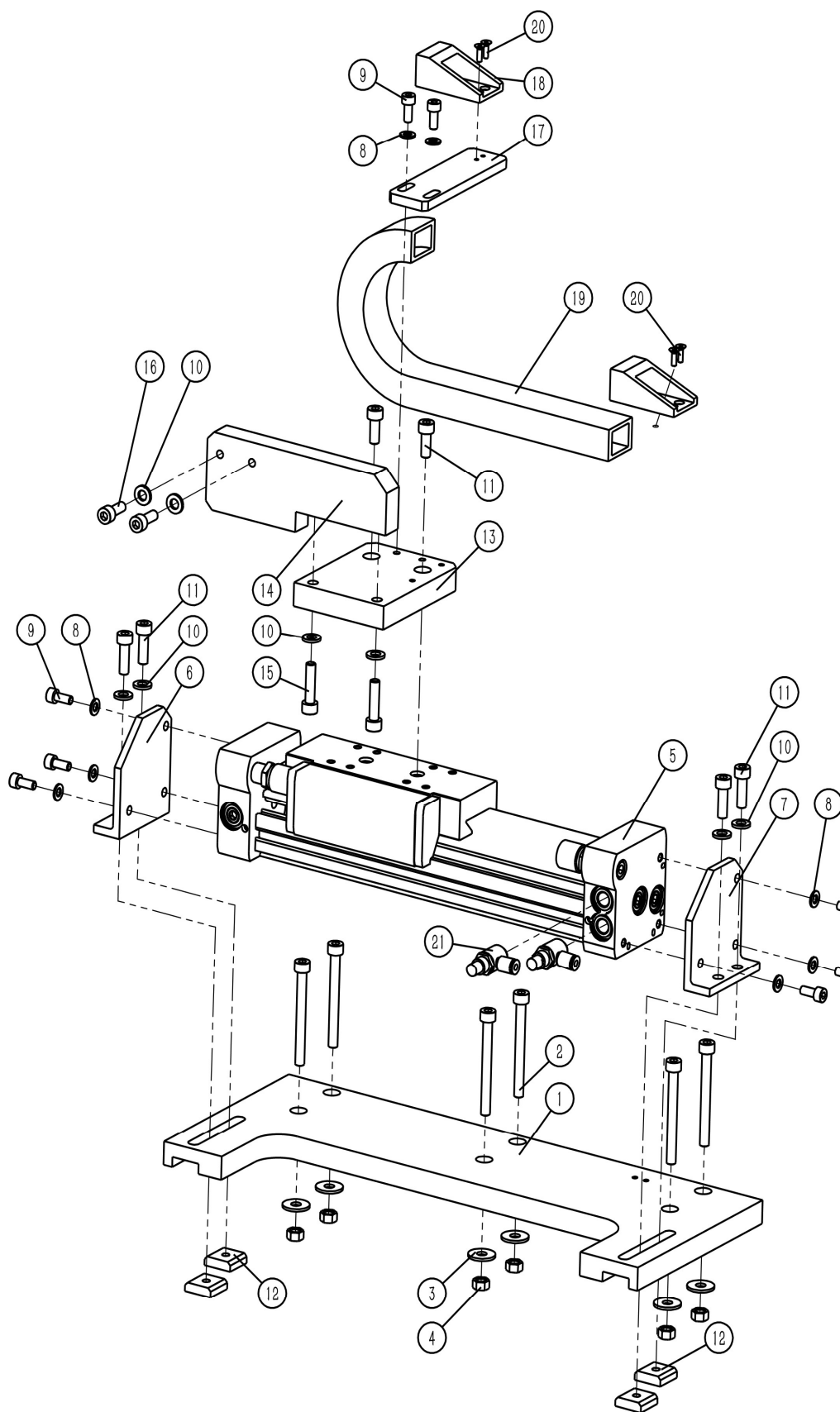
| 序号 NO. | 公司件号 Part NO. | 名称 PartName |
|--------|---------------|-------------------------|
| 51 | 701S15003 | Screw M4 × 8 |
| 52 | 48109038 | Feeding support arm |
| 53 | S05264 | Screw M6 × 12 |
| 54 | 48133001 | 42 stepper motor |
| 55 | 48125003 | Active timing pulley |
| 56 | 48135005 | Timing belt |
| 57 | 4213007300 | Photoelectric Sensors |
| 58 | 48109007 | Sensor fixing plate |
| 59 | 42136001 | Quick change elbow |
| 60 | 48145003 | Thin cylinder 12 × 10 |
| 61 | S05407 | Screw M3 × 35 |
| 62 | 48104001 | Guide rod |
| 63 | 48109004 | Guide fixed block |
| 64 | S05058 | Screw M4 × 10 |
| 65 | 48112009 | Amplifier mount |
| 66 | 48109005 | Lateral fixed block |
| 67 | 48102003 | Small polished rod |
| 68 | 48109006 | Auxiliary briquetting |
| 69 | 48108001 | Retaining ring |
| 70 | 48102004 | Sensor fixing rod |
| 71 | S06001 | Hand screw M3 × 16 |
| 72 | 48130006 | Fiber optic head |
| 73 | 48130007 | Fiber optic lens |
| 74 | 48130003 | optical fiber amplifier |
| 75 | 48109046 | Synchronous belt cover |
| 76 | S05266 | Screw M4 × 12 |
| 77 | 48147001 | Strong magnet |
| 78 | 48111003 | protecting mask |

9.2 Transport System



| 序号 NO. | 公司件号 Part NO. | 名称 PartName |
|--------|---------------|-------------------------------|
| 1 | 4811200500 | Trademark pressure plate |
| 2 | 4810905600 | Width adjustment plate |
| 3 | S05859 | Screw M4 × 8 |
| 4 | W01001 | M4 gasket |
| 5 | 48109041 | Trademark label wheel support |
| 6 | 48109040 | Side stop |
| 7 | S05005 | Screw M5 × 12 |
| 8 | W01004 | M5 gasket |
| 9 | 48103053 | Collar |
| 10 | 413S14006 | Screw M4 × 4 |
| 11 | 48102055 | Unwinding shaft |
| 12 | 48103052 | Place the sleeve |
| 13 | S02068 | Screw M4 × 8 |
| 14 | S05151 | Screw M8 × 55 |
| 15 | W01010 | M8 gasket |
| 16 | W05002 | External tooth washer M8 |
| 17 | N01011 | Nut M8 |
| 18 | S05024 | Screw M8 × 25 |

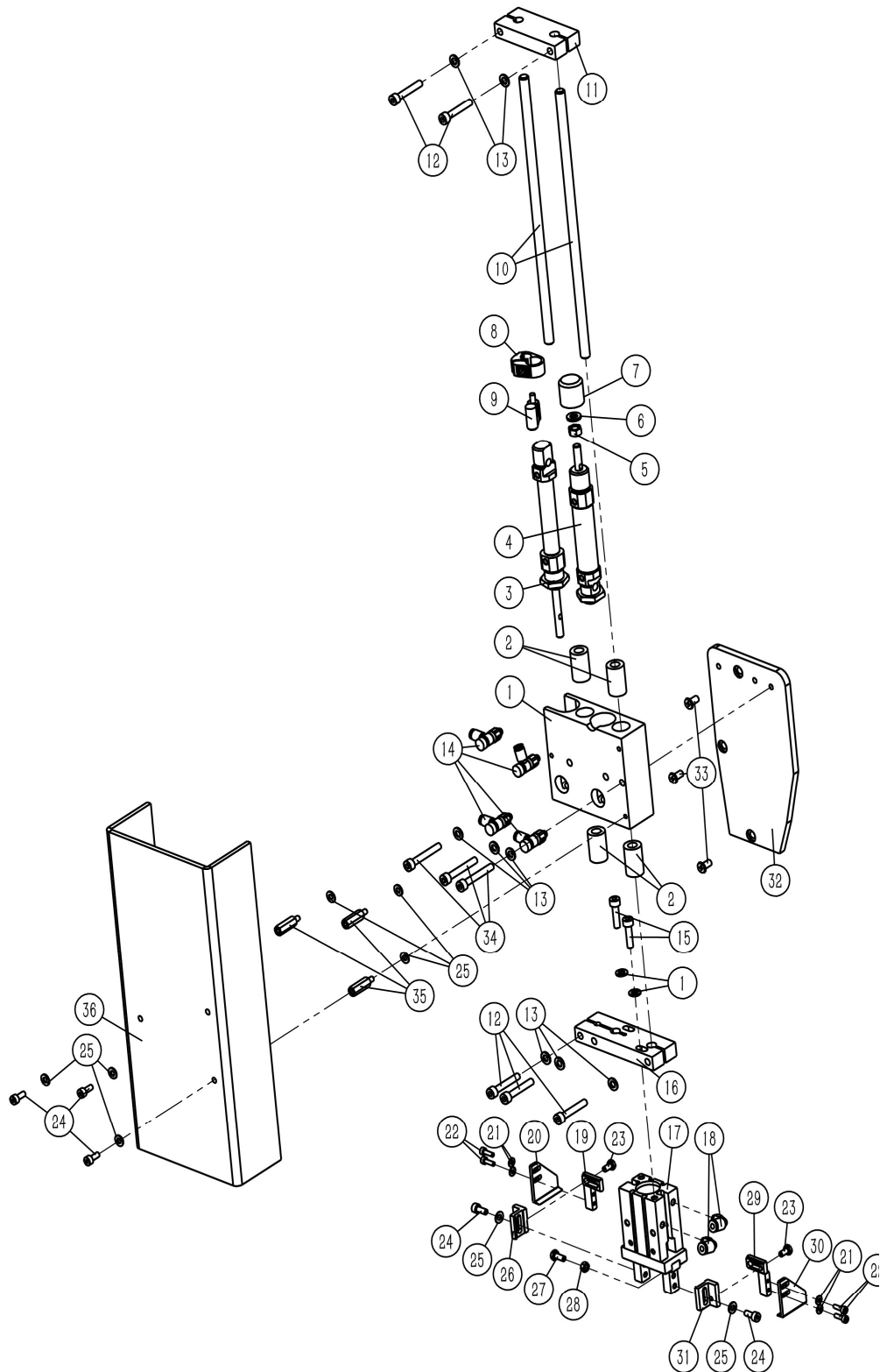
9.3 Supporting Device



9.3 支撑装置

| 序号 NO. | 公司件号 Part NO. | 名称 PartName |
|--------|---------------|-----------------------------|
| 1 | 48109034 | Rodless cylinder fixed base |
| 2 | S05156 | Screw M6 × 60 |
| 3 | W04007 | Large washer M6 |
| 4 | 701S16017 | Nut M6 |
| 5 | 48145301 | Rodless cylinder 25 × 110 |
| 6 | 48109035 | Cylinder left fixing seat |
| 7 | 48109036 | Cylinder right fixing seat |
| 8 | W01004 | M5 gasket |
| 9 | S05005 | Screw M5 × 12 |
| 10 | W01003 | M6 gasket |
| 11 | S05031 | Screw M6 × 20 |
| 12 | 701S16013 | Square flat nut block M6 |
| 13 | 48109037 | Rodless cylinder push plate |
| 14 | 48112004 | Feeding fixed plate |
| 15 | S05016 | Screw M6 × 25 |
| 16 | S05040 | Screw M6 × 16 |
| 17 | 48109039 | Towline fixing plate |
| 18 | 40711016 | Plastic drag chain head |
| 19 | 40711010 | Plastic chain 15 × 20 |
| 20 | S02068 | Screw M4 × 8 |
| 21 | 42130098 | Throttle valve |

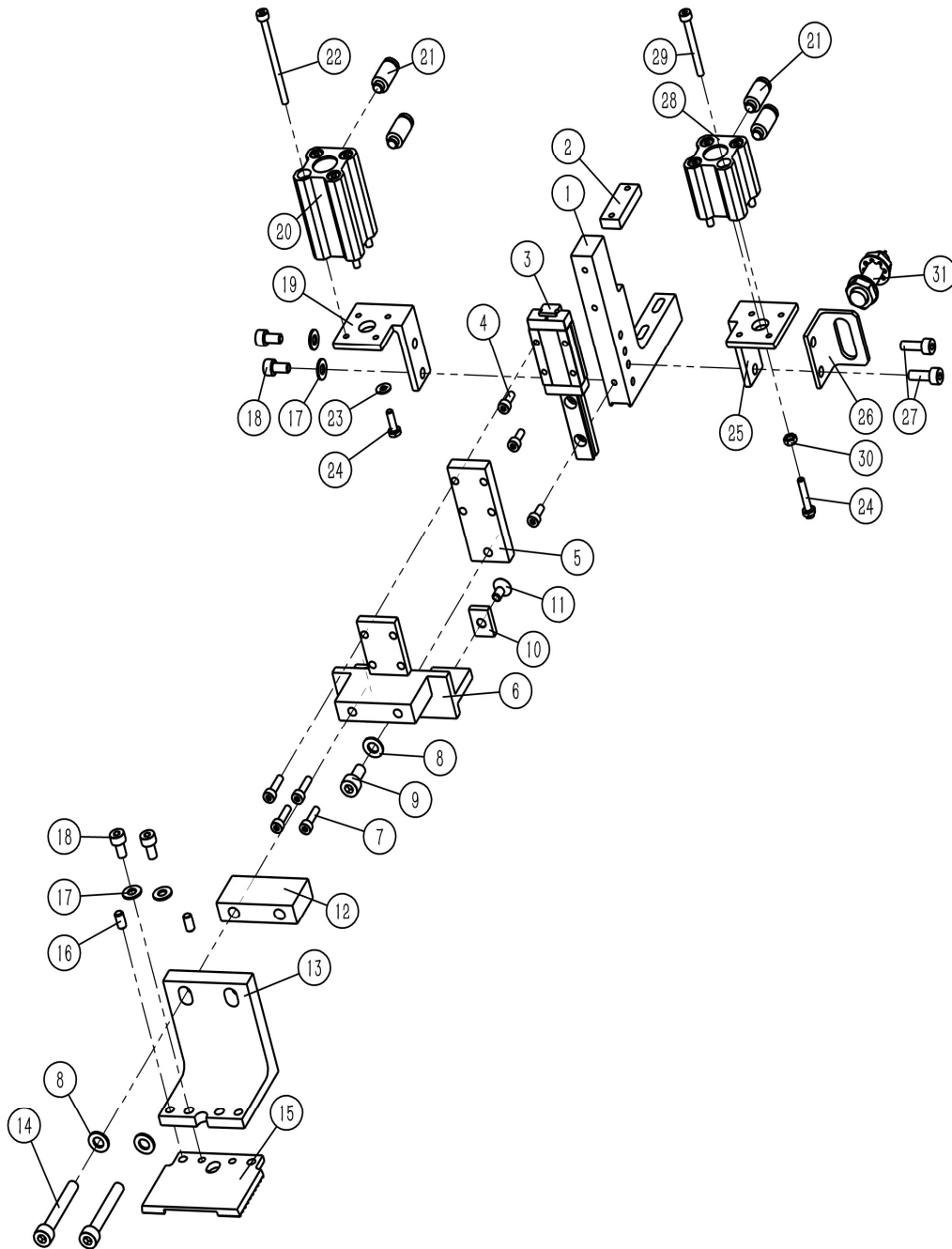
9.4 Presser Structure



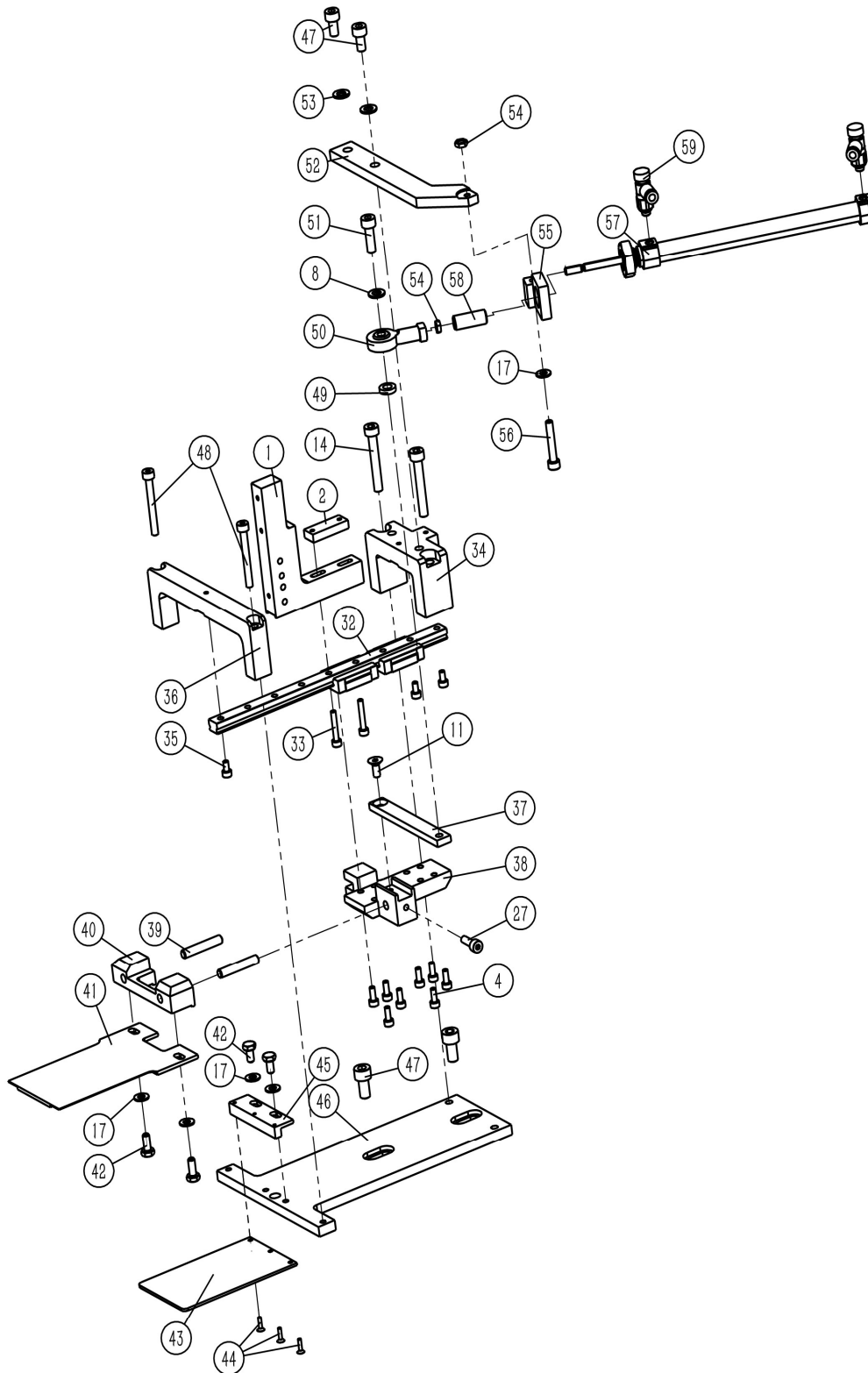
9.4 Presser Structure

| 序号 NO. | 公司件号 Part NO. | 名称 PartName |
|--------|---------------|-------------------------------------|
| 1 | 48109008 | Support fixed block |
| 2 | 48124001 | Linear Bearings |
| 3 | 48145304 | Cylindrical cylinder 12 × 40 |
| 4 | 48145305 | Cylindrical cylinder 16 × 25 |
| 5 | 701S16017 | Nut M6 |
| 6 | 48102057 | Cylinder rod cap |
| 7 | 48145312 | Cylinder sensor mount |
| 8 | 48145313 | Cylinder sensor |
| 9 | 48102005 | Optical axis |
| 10 | 48109009 | Upper limit block |
| 11 | S05083 | Screw M5 × 30 |
| 12 | W01004 | M5 gasket |
| 13 | 42130032 | Throttle valve |
| 14 | 48109010 | Lower limit block |
| 15 | 48145306 | Parallel gripper |
| 16 | S05092 | Screw M5 × 20 |
| 17 | 42136001 | Quick change elbow |
| 18 | 48112002 | Head cover |
| 19 | 481S14002 | Hexagon flat head screw M5 |
| 20 | 701S13024 | Screw M5 × 35 |
| 21 | 48109012 | Left lateral adjustment block |
| 22 | 48109013 | Left folding target board |
| 23 | W01002 | M3 gasket |
| 24 | S05145 | Screw M3 × 10 |
| 25 | 48109011 | Left longitudinal adjustment block |
| 26 | 481S14001 | Flat head screw M4 |
| 27 | S05058 | Screw M4 × 10 |
| 28 | W01001 | M4 gasket |
| 29 | 48109015 | Right lateral adjustment block |
| 30 | 48109016 | Right folding target board |
| 31 | 48109014 | Right longitudinal adjustment block |
| 32 | L02002 | Bolt M4 × 10 |
| 33 | 701S16015 | Nut M4 |
| 34 | 481S30002 | Stud M4 × 20 |
| 35 | 48111001 | Nose guard |

9.5 Folding Structure



9.5 Folding Structure



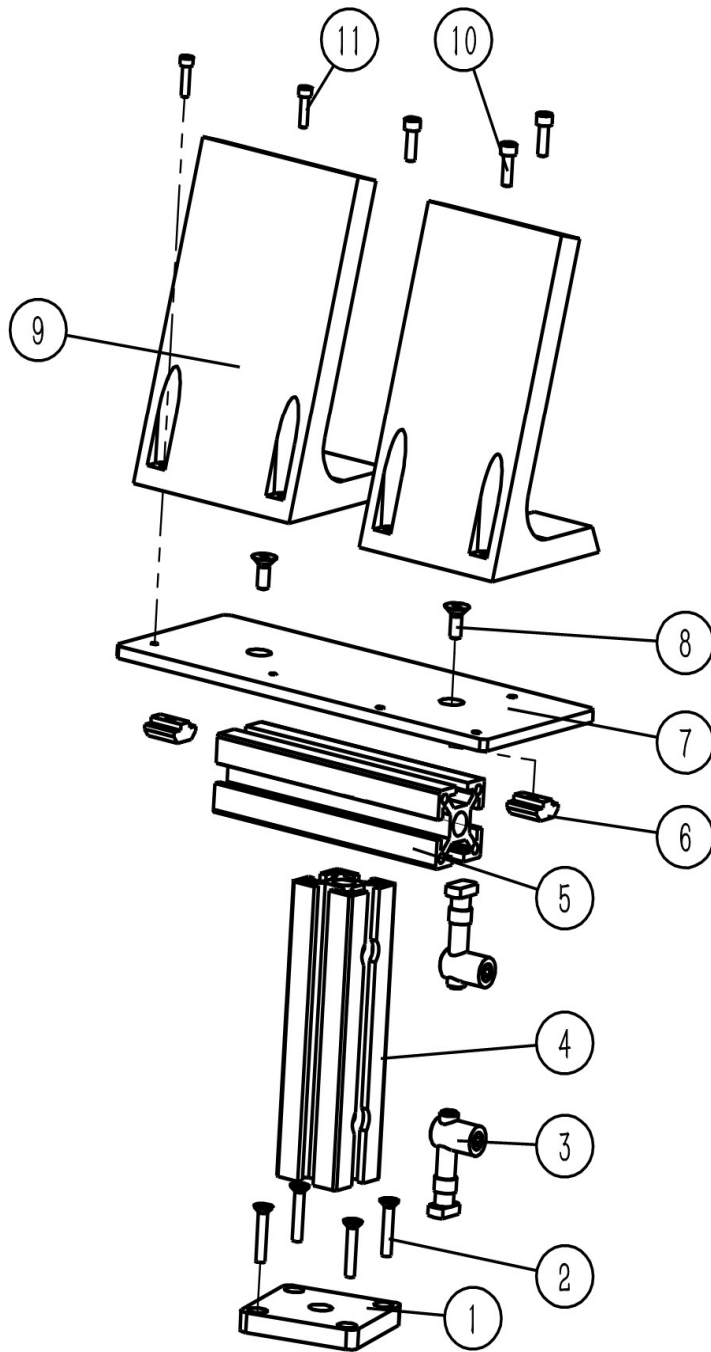
9.5 Folding Structure

| 序号 NO. | 公司件号 Part NO. | 名称 PartName |
|--------|---------------|--|
| 1 | 48109018 | Standard bracket |
| 2 | 48109045 | Fixing plate for pressure standard bracket |
| 3 | 48108002 | Marking plate guide rail assembly |
| 4 | S05403 | Screw M3 × 8 |
| 5 | 48109019 | Slider support plate |
| 6 | 48109020 | Slide bracket |
| 7 | S05858 | Screw M3 × 12 |
| 8 | W01004 | M5 gasket |
| 9 | S05003 | Screw M5 × 10 |
| 10 | 48112010 | Sensor detection board |
| 11 | S02068 | Screw M4 × 8 |
| 12 | 48109021 | Bracket adapter plate |
| 13 | 48109022 | Pressure fixing plate |
| 14 | 701S13024 | Screw M5 × 35 |
| 15 | 48116001 | Pressure plate |
| 16 | 48126001 | pin |
| 17 | W01001 | M4 gasket |
| 18 | S05859 | Screw M4 × 8 |
| 19 | 48109023 | Left cylinder bracket |
| 20 | 48145307 | Thin cylinder 12 × 25 |
| 21 | 48145019 | Push-in connector |
| 22 | S05406 | Screw M3 × 45 |
| 23 | W01002 | M3 gasket |
| 24 | L02053 | Bolt M3 × 10 |
| 25 | 48109024 | Right cylinder bracket |
| 26 | 48109025 | Sensor mounting plate |
| 27 | S05266 | Screw M4 × 12 |
| 28 | 48145303 | Thin cylinder 12 × 10 |
| 29 | S05160 | Screw M3 × 30 |
| 30 | 701S16014 | Nut M3 |
| 31 | 48130036 | Proximity switch |
| 32 | 48108003 | Folding guide rail assembly |
| 33 | S05054 | Screw M3 × 20 |
| 34 | 48109028 | Rear fixing block of guide rail |
| 35 | S05145 | Screw M3 × 10 |
| 36 | 48109026 | Front fixing block of guide rail |
| 37 | 48109033 | Motion fixing plate |
| 38 | 48109031 | Folding bracket |
| 39 | 48126002 | Short sale |
| 40 | 48109032 | Folding plate fixing block |
| 41 | 48115005 | Folding board |
| 42 | L02001 | Bolt M4 × 8 |
| 43 | 48112003 | Sewing the bottom plate |
| 44 | S02171 | Screw M2 × 8 |
| 45 | 48109027 | Sewing bottom plate connection block |
| 46 | 48109017 | Support base plate |
| 47 | S05033 | Screw M6 × 12 |
| 48 | S05187 | Screw M4 × 35 |
| 49 | 48128001 | Sports fixed cushion high circle |
| 50 | 48145309 | Fisheye connector |

9.5 Folding Structure

| 序号 NO. | 公司件号 Part NO. | 名称 PartName |
|--------|---------------|-------------------------------|
| 51 | 70IS13001 | Screw M5 × 16 |
| 52 | 48109029 | Cylinder drive plate |
| 53 | W01003 | M6 gasket |
| 54 | 70IS16015 | Nut M4 |
| 55 | 48109030 | Cylinder fixing block |
| 56 | S05093 | Screw M4 × 25 |
| 57 | 48145302 | Cylindrical cylinder 10 × 100 |
| 58 | 48111002 | Limit sleeve |
| 59 | 42130032 | Throttle valve |

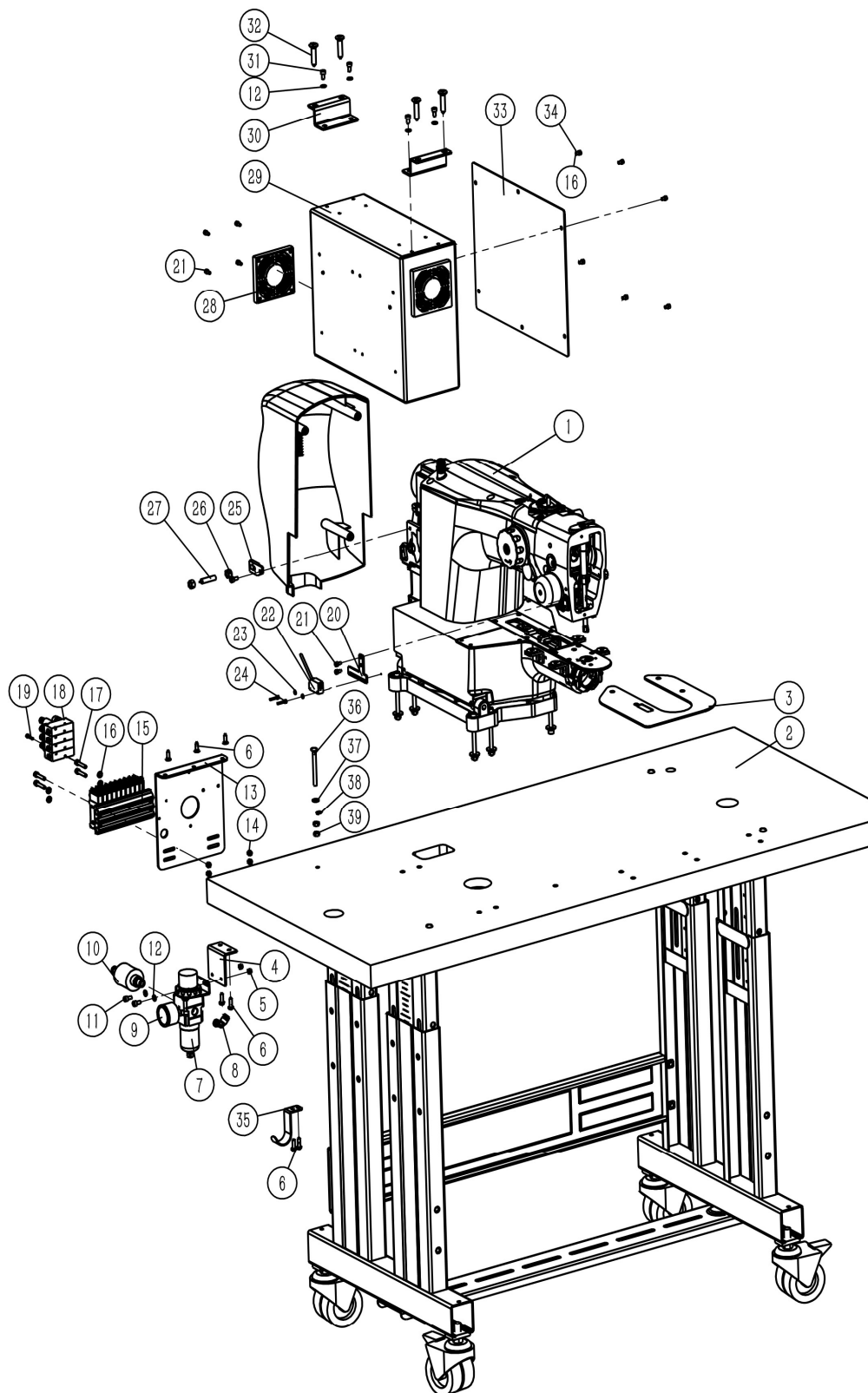
9.6 Touch Screen



9.6 Touch Screen

| 序号 NO. | 公司件号 Part NO. | 名称 PartName |
|--------|---------------|--|
| 1 | 48109043 | Aluminum profile anchors |
| 2 | 701S30030 | Countersunk head wood screws M5 × 25 |
| 3 | 48142001 | Vertically supported aluminum profiles |
| 4 | 48126003 | Anchor connecting pin |
| 5 | 48142002 | Lateral support aluminum profile |
| 6 | 481S16002 | T nut M6 |
| 7 | 48109042 | Touch screen fixing plate |
| 8 | S05264 | Screw M6 × 12 |
| 9 | 42111010 | Operation screen |
| 10 | 701S13001 | Screw M5 × 16 |
| 11 | S05093 | Screw M4 × 25 |

9.7 Head and sewing table parts



9.8 机头与台板部件

| 序号 NO. | 公司件号 Part NO. | 名称 PartName |
|--------|---------------|-------------------------------------|
| 1 | 14956 | GL11 head |
| 2 | 48132005 | Platen |
| 3 | 48112006 | Sewing table |
| 4 | 48112066 | Pressure regulator connection |
| 5 | 701S16016 | Nut M5 |
| 6 | S16001 | 4.8 Self-tapping screws |
| 7 | 42130088 | filter |
| 8 | 42136018 | 3 double-tube universal elbows |
| 9 | 42130095 | Pressure gauge with pressure switch |
| 10 | 42130096 | Manual switch |
| 11 | S05005 | Screw M5 × 12 |
| 12 | W01004 | M5 gasket |
| 13 | 48112007 | Pneumatic component fixing plate |
| 14 | 701S16015 | Nut M4 |
| 15 | 48145300 | 8-joint manifold |
| 16 | W01001 | M4 gasket |
| 17 | S05093 | Screw M4 × 25 |
| 18 | 48145009 | Pressure control valve |
| 19 | S05407 | Screw M3 × 35 |
| 20 | 48112063 | Sensor rack |
| 21 | S05859 | Screw M4 × 8 |
| 22 | 84630001 | Photoelectric sensor CX422 |
| 23 | W01002 | M3 gasket |
| 24 | 701S13033 | Screw M3 × 16 |
| 25 | 148112001 | Proximity switch mounting bracket |
| 26 | S05003 | Screw M5 × 10 |
| 27 | 148130001 | Proximity switch |
| 28 | 61600005 | Dust cover |
| 29 | 48112079 | Electric control box |
| 30 | 304846 | Electric control box hanger |
| 31 | 701S13001 | Screw M5 × 16 |
| 32 | 40931011 | Carriage screw |
| 33 | 48112080 | Front cover of electric control box |
| 34 | S05404 | Screw M4 × 6 |
| 35 | 48112070 | Air gun hook |
| 36 | 481S30051 | Locking screw M6 × 60 |
| 37 | W01003 | M6 gasket |
| 38 | W03028 | M6 spring pad |
| 39 | 701S16017 | Nut M6 |

42



| 零件描述 Description | 数量 Number |
|------------------|-----------|
| | 1 |
| | 2 |
| | 1 |
| | 1 |
| | 10 |
| | 1 |
| | 7 |
| | 1 |
| | 3 |
| | 1 |
| | 1 |
| | 2 |
| | 2 |
| | 2 |
| | 1 |
| | 1 |
| | 2 |
| | 1 |
| | 1 |
| | 6 |
| | 1 |
| | 6 |
| | 1 |
| | 2 |
| | 1 |
| | 1 |
| | 1 |
| | 2 |
| | 2 |
| | 2 |
| | 2 |
| | 2 |
| | 2 |
| | 2 |
| | 1 |
| | 1 |
| | 1 |
| | 1 |
| | 1 |
| | 1 |
| | 1 |
| | 1 |
| | 1 |
| | 1 |
| | 1 |
| | 1 |
| | 1 |
| | 1 |
| | 1 |
| | 1 |
| | 1 |
| | 1 |
| | 1 |
| | 1 |
| | 1 |
| | 1 |
| | 3 |
| | 1 |

| 零件描述 Description | 数量 Number |
|------------------|-----------|
| | 2 |
| | 1 |
| | 2 |
| | 1 |
| | 1 |
| | 1 |
| | 1 |
| | 1 |
| | 1 |
| | 1 |
| | 1 |
| | 2 |
| | 1 |
| | 1 |
| | 1 |
| | 1 |
| | 1 |
| | 1 |
| | 1 |
| | 1 |
| | 1 |
| | 1 |
| | 1 |
| | 1 |
| | 1 |
| | 1 |
| | 1 |
| | 1 |
| | 1 |
| | 1 |
| | 1 |
| | 2 |
| | 1 |
| | 1 |

| 零件描述 Description | 数量 Number |
|------------------|-----------|
| | 1 |
| | 1 |
| | 1 |
| | 1 |
| | 1 |
| | 1 |
| | 1 |
| | 1 |
| | 1 |
| | 1 |
| | 2 |
| | 1 |
| | 1 |
| | 1 |
| | 1 |
| | 3 |
| | 1 |
| | 1 |
| | 1 |



| 零件描述 Description | 数量 Number |
|------------------|-----------|
| | 1 |
| | 6 |
| | 6 |
| | 6 |
| | 1 |
| | 1 |
| | 1 |
| | 8 |
| | 8 |
| | 8 |
| | 6 |
| | 4 |
| | 1 |
| | 1 |
| | 2 |
| | 2 |
| | 1 |
| | 1 |
| | 0.5 |
| | 4 |
| | 2 |

2)

| 零件描述 Description | 数量 Number |
|------------------|-----------|
| | 1 |
| | 4 |
| | 1 |
| | 1 |
| | 1 |
| | 1 |
| | 1 |
| | 1 |
| | 1 |
| | 2 |
| | 1 |
| | 5 |
| | 10 |
| | 4 |
| | 1 |
| | 1 |
| | 2 |
| | 2 |
| | 1 |
| | 3 |
| | 3 |
| | 1 |
| | 1 |
| | 4 |
| | 4 |
| | 1 |
| | 2 |
| | 5 |
| | 8 |
| | 1 |
| | 1 |
| | 1 |
| | 1 |
| | 1 |
| | 3 |
| | 1 |

机构



| 零件描述 Description | 数量 Number |
|------------------|-----------|
| | 1 |
| | 1 |
| | 1 |
| | 11 |
| | 1 |
| | 1 |
| | 4 |
| | 4 |
| | 1 |
| | 1 |
| | 2 |
| | 1 |
| | 1 |
| | 4 |
| | 1 |
| | 2 |
| | 9 |
| | 4 |
| | 1 |
| | 1 |
| | 4 |
| | 4 |
| | 1 |
| | 2 |
| | 1 |
| | 1 |
| | 3 |
| | 1 |
| | 4 |
| | 1 |
| | 1 |
| | 1 |
| | 2 |
| | 1 |
| | 3 |
| | 1 |
| | 1 |
| | 1 |
| | 2 |
| | 1 |
| | 1 |
| | 4 |
| | 1 |
| | 3 |
| | 1 |
| | 1 |
| | 4 |
| | 2 |
| | 1 |
| | 1 |

| 零件描述 Description | 数量 Number |
|------------------|-----------|
| | 1 |
| | 1 |
| | 2 |
| | 2 |
| | 1 |
| | 1 |
| | 1 |
| | 1 |
| | 2 |

| 零件描述 Description | 数量 Number |
|------------------|-----------|
| | 1 |
| | 4 |
| | 1 |
| | 2 |
| | 1 |
| | 2 |
| | 1 |
| | 2 |
| | 1 |
| | 3 |
| | 2 |

W

| 零件描述 Description | 数量 Number |
|------------------|-----------|
| | 1 |
| | 1 |
| | 1 |
| | 1 |
| | 2 |
| | 7 |
| | 1 |
| | 1 |
| | 1 |
| | 1 |
| | 2 |
| | 6 |
| | 1 |
| | 4 |
| | 1 |
| | 10 |
| | 4 |
| | 4 |
| | 8 |
| | 1 |
| | 10 |
| | 1 |
| | 2 |
| | 2 |
| | 1 |
| | 1 |
| | 1 |
| | 2 |
| | 1 |
| | 2 |
| | 4 |
| | 4 |
| | 1 |
| | 6 |
| | 1 |
| | 4 |
| | 4 |
| | 4 |
| | 4 |
| | 8 |