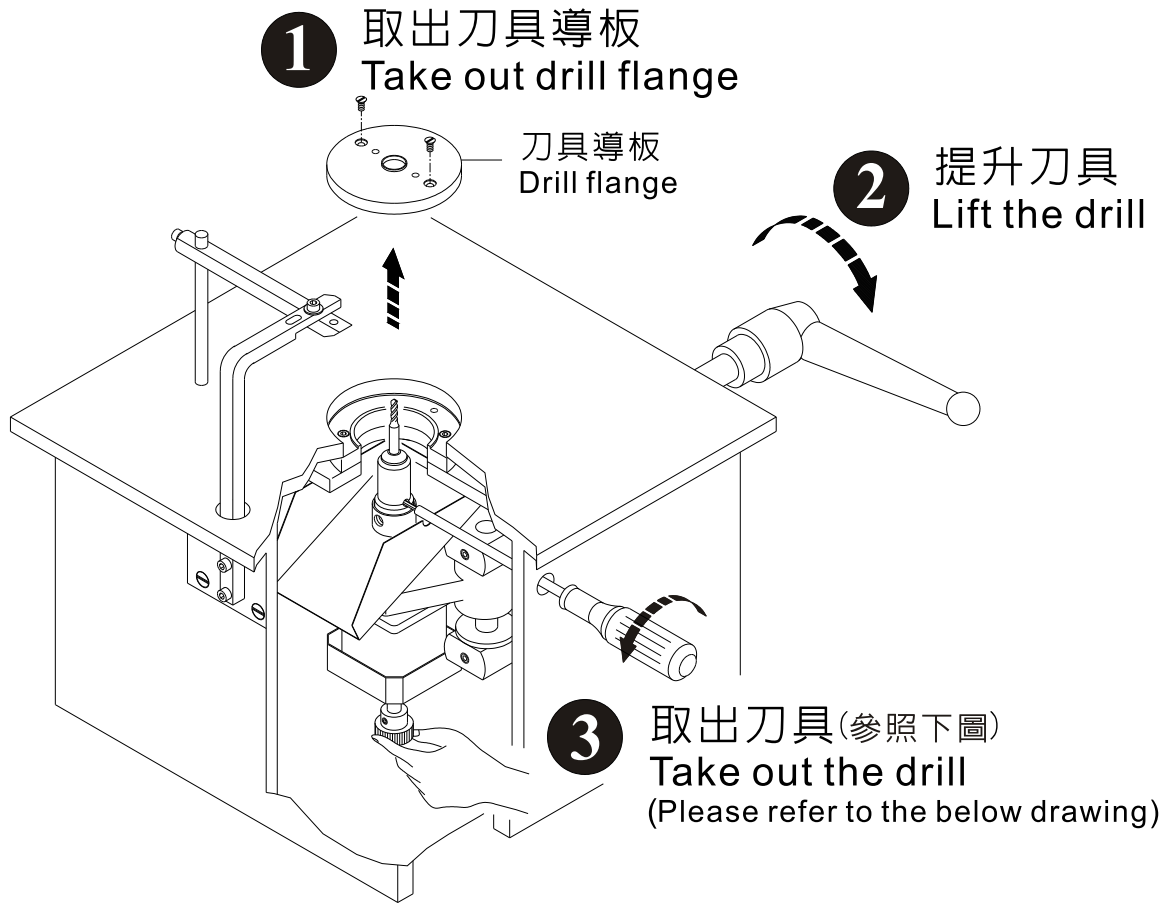


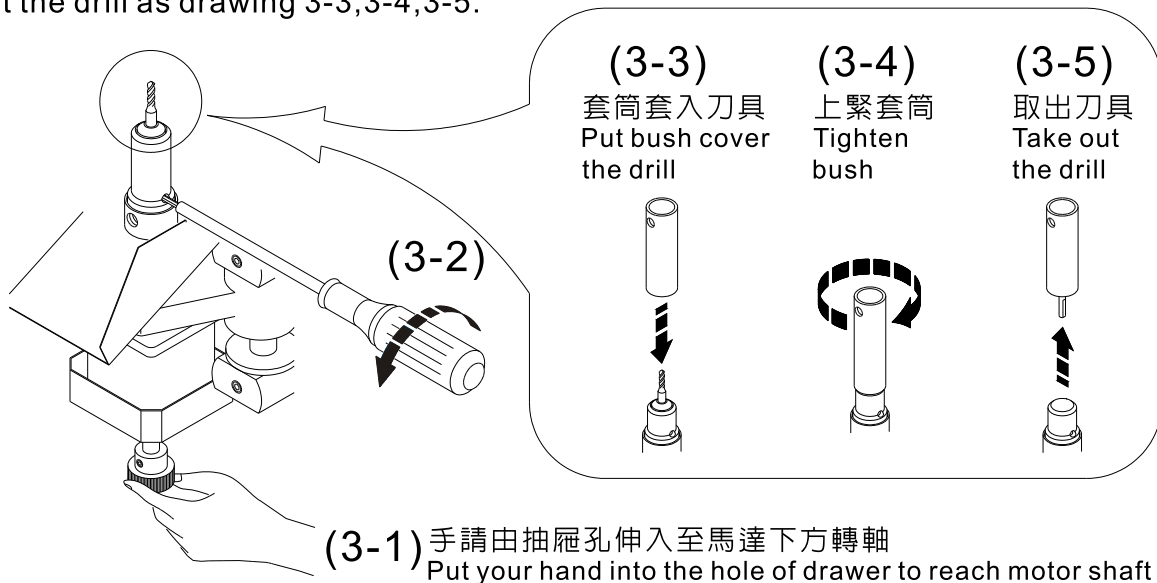
K-1_{II} 鑽刀更換說明 K-1_{II} INSTRUCTION FOR CHANGING DRILL

請照編號順序鑽刀，並依反順序裝回鑽刀
 Please take out the drill according to the following steps in sequence.
 And install the drill in anti-sequence.

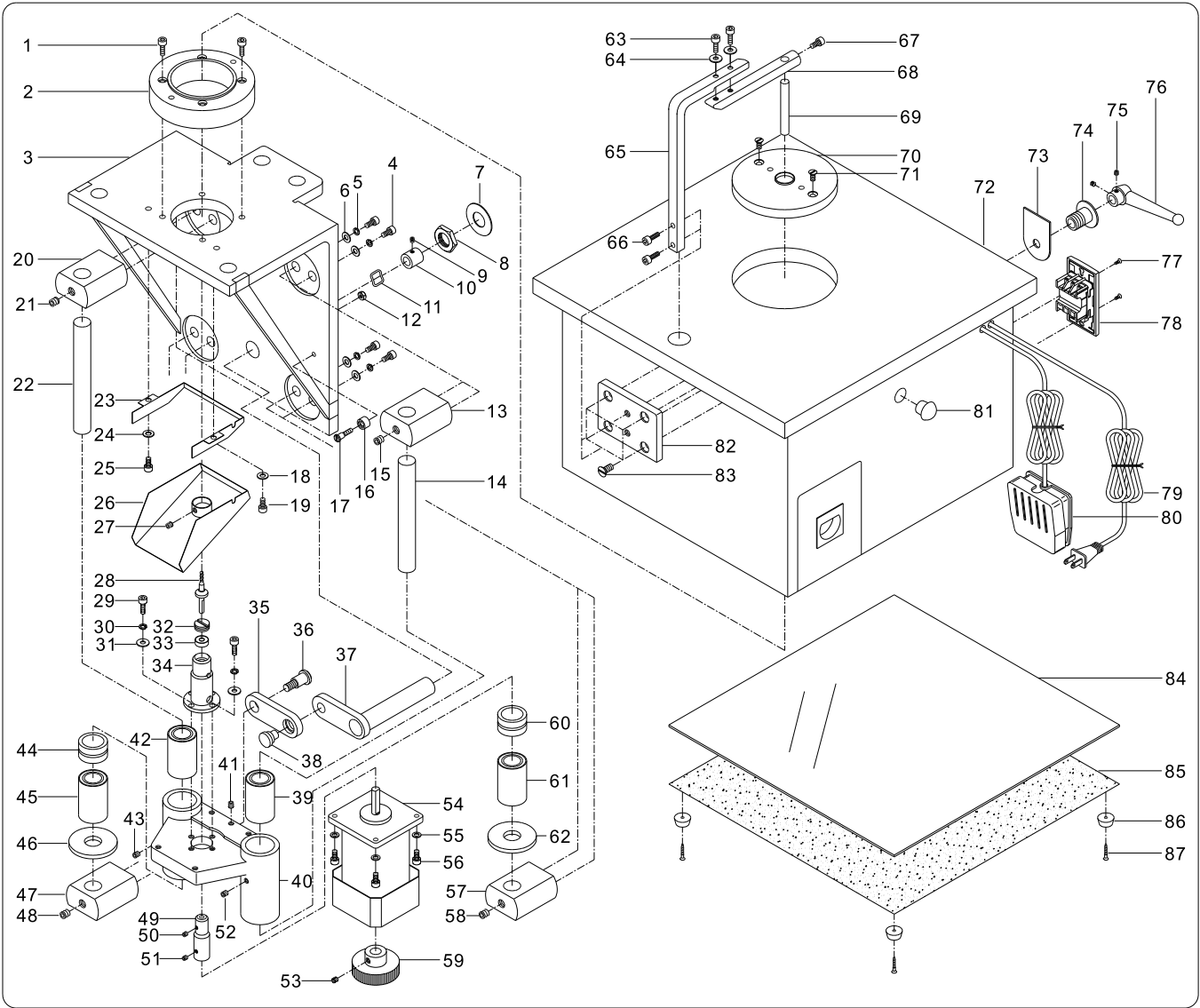


用手移動轉軸找尋固定刀具的螺絲孔(手請由抽屜孔伸入至馬達下方轉軸，如圖 3-1)，放鬆螺絲(如圖 3-2)，再取出刀具(如圖 3-3, 3-4, 3-5)

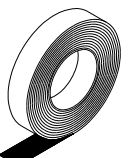


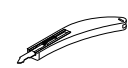



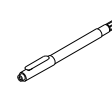

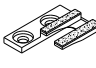

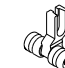
Rotate motor shaft to find the screw hole of fixing drill. (Put your hand into the hole of drawer to reach motor shaft as drawing 3-1). Loose screw as drawing 3-2. Then take out the drill as drawing 3-3,3-4,3-5.



K-1_{II} 零件圖 PARTS LIST FOR K-1_{II}



K-1_{II} 附件圖 ACCESSORIES LIST FOR K-1_{II}

<p>88 背膠砂紙 SAND PAPER (280x230mm)</p> <p>89 白板 WHITE PLATE (600x450x0.5mm)</p> <p>90 透明板 CLEAR PLATE (600x500x2mm)</p>	<p>91 防水膠帶 WATERPROOF TAPE (W:30mm L:36M)</p> 	<p>92 雙面膠帶 DOUBLE SIDE TAPE (W:15mm L:20M)</p> 	<p>93 擋邊海綿 RUBBER STOPPER (W:10mm L:10M t:1mm)</p> 	<p>94 透明板用割刀 KNIFE FOR CLEAR PLATE</p>  <p>94-1 刀片 BLADE</p> 
	<p>95 六角扳手 HEXAGON SPANNER 2.5mm</p> 	<p>96 定規套 GUIDE BUSH</p> 	<p>97 記號筆 OIL PEN</p> 	<p>98 凸緣針板 PROTRUDE NEEDLE PLATE</p> 
	<p>99 膠面送齒 RUBBER FEED DOG</p> 	<p>100 銅釘 BRASS PIN</p> 	<p>101 輪壓布腳 ROLLER PRESSER FOOT</p> 	<p>102 拆裝刀具套筒 KNIFE BUSHING</p> 