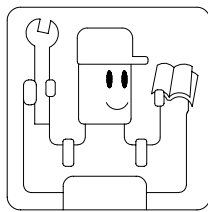


MCL 10  
MC 18Z-57  
MC 18C-57



# 安裝手冊

THE INSTALLATION GUIDE BOOK



- 安裝前,請詳細閱讀安裝說明書
- PLEASE READ INSTRUCTIONS & ASSOCIATED DRAWINGS BEFORE INSTALLATION
- VOR AUFSTELLUNG LESEN SIE BITTE DIE ANLEITUNGEN UND DIE DAZUGEHORIGEN ZEICHNUNGEN
- VEUILLEZ LIRE LES DIRECTIVES ET LES SCHEMAS D'ASSEMBLAGE ATTENTIVEMENT AVANT DE PROCEDER A L'INSTALLATION
- POP FAVOR LEA LAS INSTRUCCIONES DE LOS ESQUEMAS SANTES DE INSTALARLO

# MC 18C-57 MC 18Z-57 組合圖

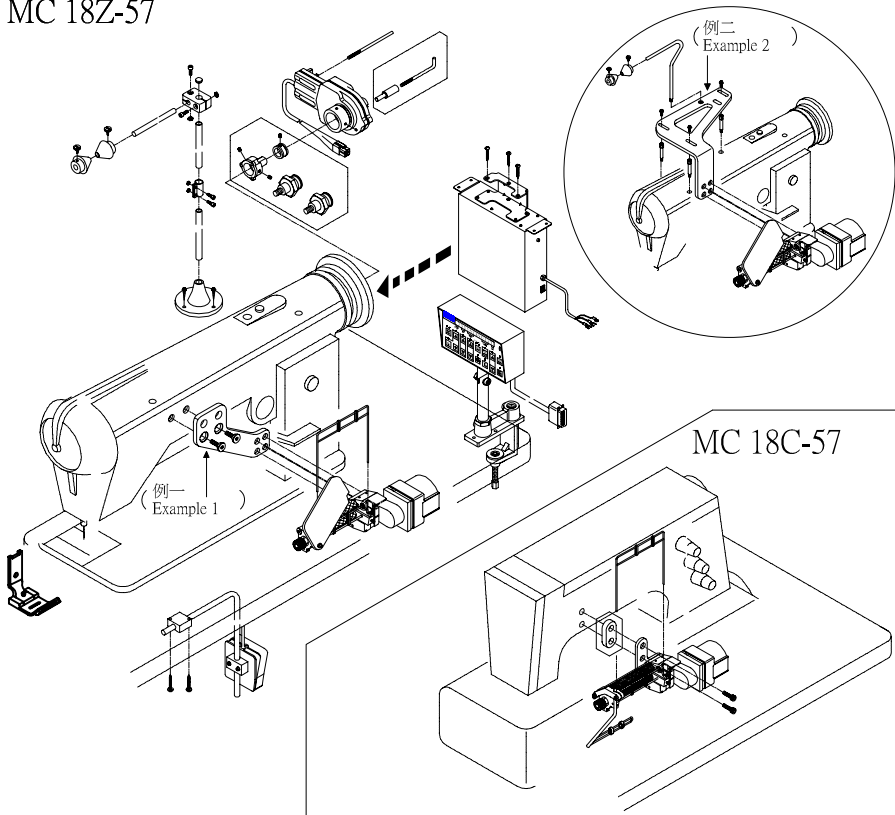
## THE COMBINATION OF MC 18C-57 MC 18Z-57

NO. MC1821

記號說明  
Description mark

□ 標準配件,選擇使用  
\*Standard parts,choose the suitable one

### MC 18Z-57



### 特殊機型,銜接配件需自行加工,固定

CONNECTING PARTS FOR SPECIAL MODELS NEED TO BE PROCESSED AND FIXED BY CUSTOMERS.

A 無中心螺孔  
NO CENTRIC FIXING POINT

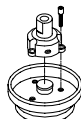
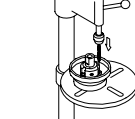
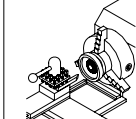
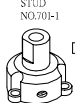
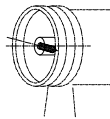
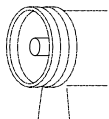
B 中心螺孔不正  
BIAS CENTRIC FIXING POINT

螺柱  
STUD  
NO.701-1

a 車削平面及內外極  
LATHING A SURFACE

b 使用φ3MM鑽孔M4\*0.7攻牙  
USING DRILL SIZE 3.3φMM,  
TAPPING WITH SIZE M4\*0.7

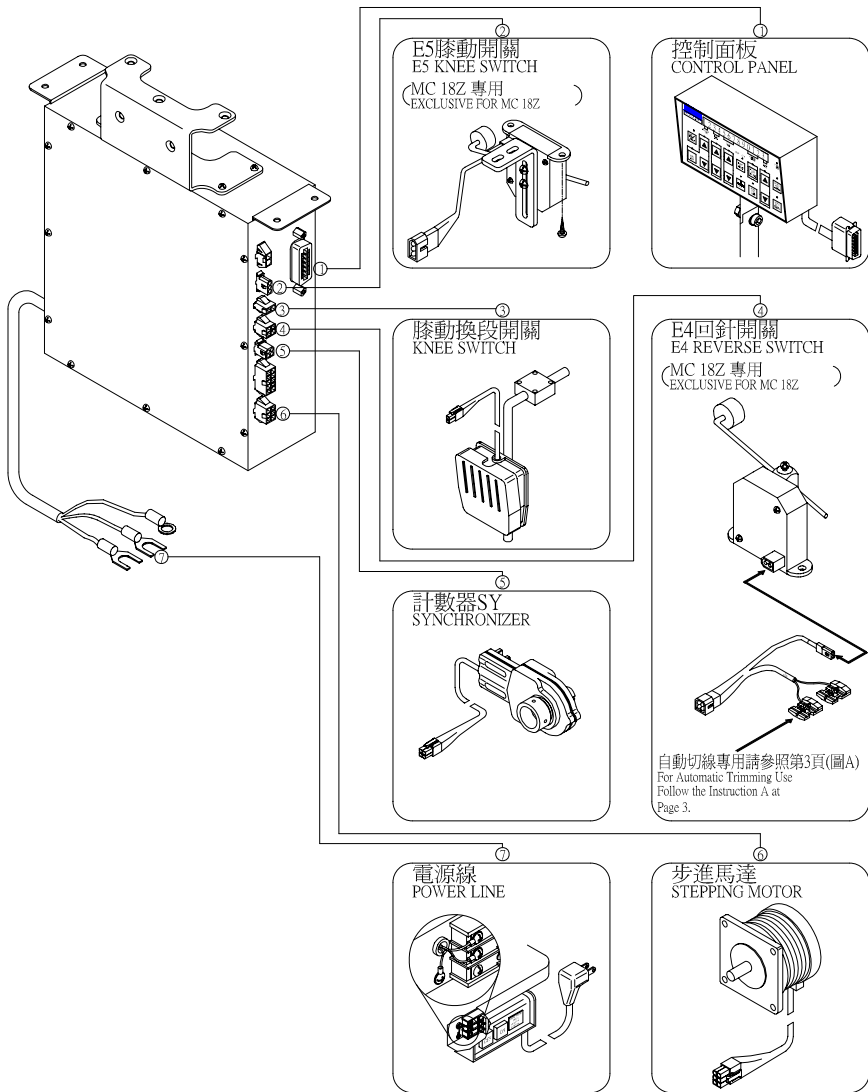
c 固定  
FIXING



# MC 18C/Z-57 接線圖

## WIRING DIAGRAM FOR MC 18C/Z 57

NO. MC1831

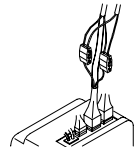
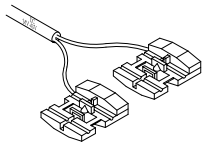


## A:自動切線專用

Instruction A Automatic-Trimming

FINDING AND CONNECTING THE POWER CORDS OF AUTO-REVERSE SOLENOID (DC24-48V)  
 接於自動切線針車倒針用電磁電源上(DC24-48V)

FOR NONAUTOMATIC-TRIMMING MACHINE, KEEP THIS  
 WIRE CONNECTOR ASIDE. CLOSE THE CLIP AS SHOWN BELOW.  
 無自動切線之針車此線無須使用並將蓋子蓋上(如圖)



PIN ALIGNMENT 插頭形狀	SEWING BRAND 針車廠牌	APPLICABLE MODELS 適用機型	AUTO-RELEASE CORD NO. 使用番號
	JUKI	DDL-555-4	① ② ③
		DDL-555-5 DDL-5550-6	② ③ ④
		DDL-5550-7	③ ④ ⑤
	BROTHER	BROTHER SERIES	④ ⑤ ⑥
	SINGER	SINGER SERIES	⑤ ⑥ ⑦
	TOYOTA	LS2-AD158	⑥ ⑦ ⑧
	DA-1200 SERIES	DA-1200 SERIES	⑦ ⑧ ⑨
	MITSUBISHI	LS2-180 DB189 LS2-190	⑧ ⑨ ⑩

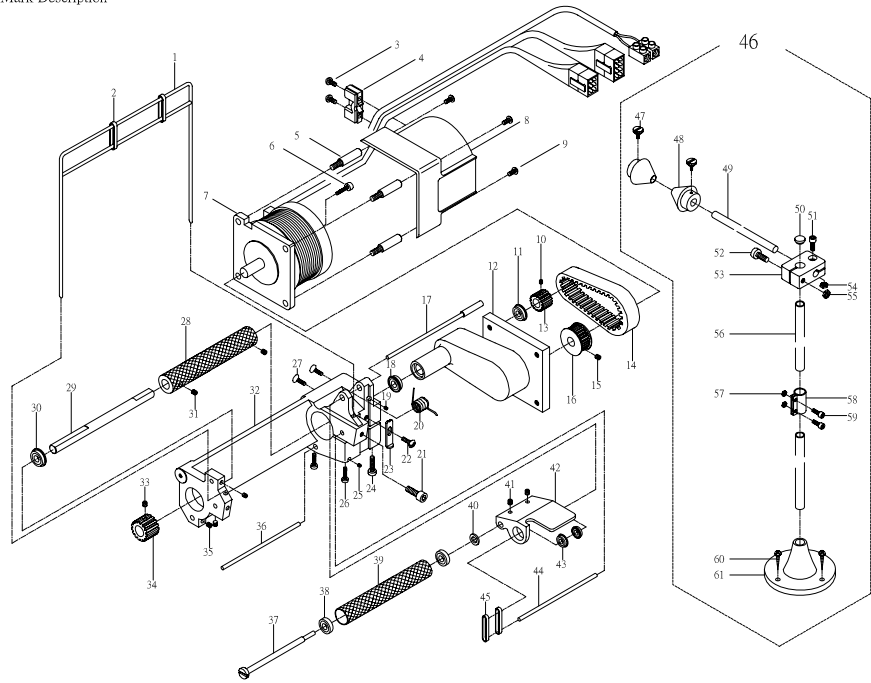
# MC 18C-57 MC 18Z-51 零件圖

## PARTS LIST FOR MC 18C-57 MC 18Z-57

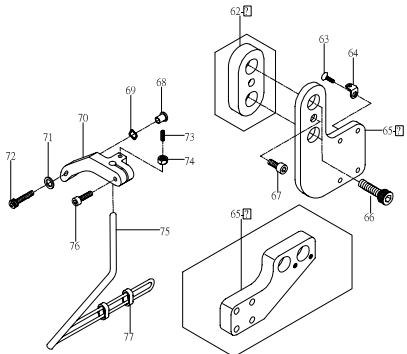
NO. MC1812A

記號說明  
Mark Description

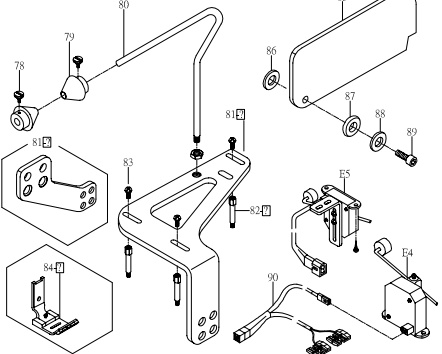
- ☐ 選擇性配件,請告知針車廠牌機型
- Please indicate sewing machine model NO. for optional parts.



### MC 18C 專用 EXCLUSIVE FOR MC 18C



### MC 18Z 專用 EXCLUSIVE FOR MC 18Z



# MC 18C-57 MC 18Z-57 零件圖

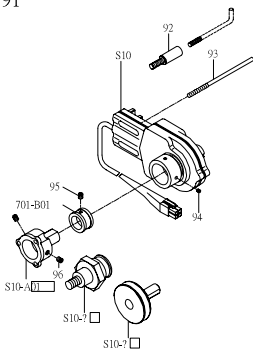
## PARTS LIST FOR MC 18C-57 MC 18Z-57

NO. MC1812B

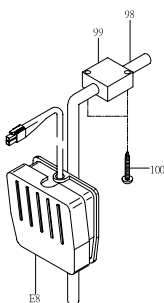
記號說明  
Mark Description

☐ • 選擇性配件, 請告知針車廠牌機型  
• Please indicate sewing machine model NO. for optional parts.

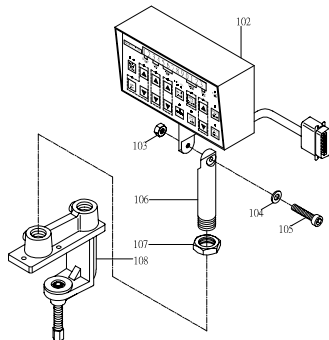
91



97



101



109

