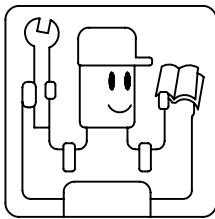


MCA 18Z-19



安裝手冊

THE INSTALLATION GUIDE BOOK



□ 安裝前,請詳細閱讀安裝說明書

□ PLEASE READ INSTRUCTIONS & ASSOCIATED DRAWINGS BEFORE INSTALLATION

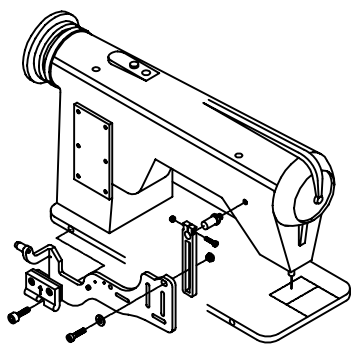
□ VOR AUFSTELLUNG LESEN SIE BITTE DIE ANLEITUNGEN UND DIE DAZUGEHORIGEN ZEICHNUNGEN

□ VEUILLEZ LIRE LES DIRECTIVES ET LES SCHEMAS D'ASSEMBLAGE ATTENTIVEMENT AVANT DE PROCÉDER À L'INSTALLATION

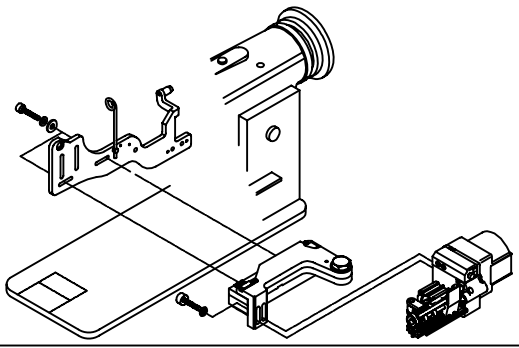
□ POP FAVOR LEA LAS INSTRUCCIONES DE LOS ESQUEMAS SANES DE INSTALARLO

THE COMBINATION OF MCA 18Z-19

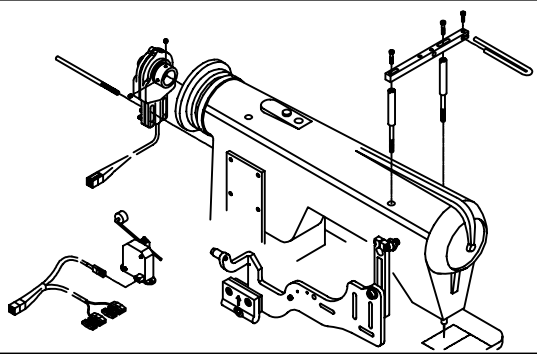
A: 支架
A: BRACKET



B: 主機
B: MAJOR UNIT

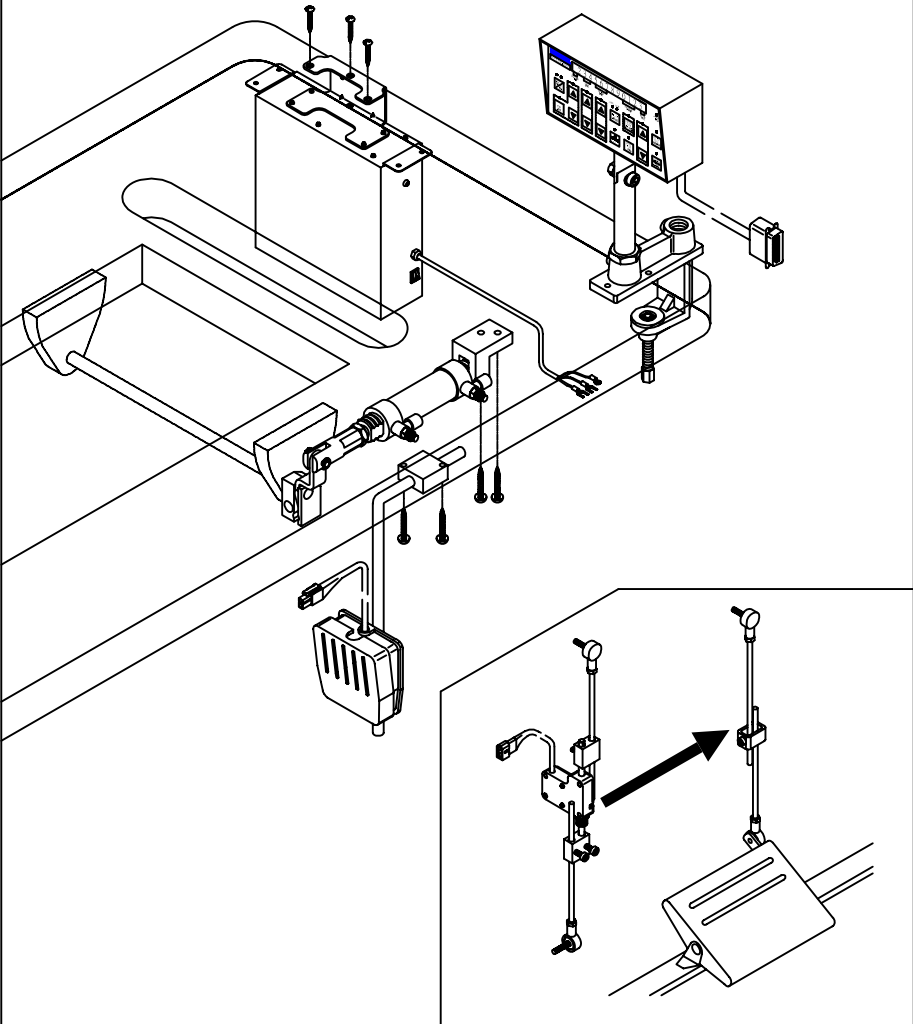


C: 配件
C: PARTS



MCA 18Z-19 組合圖
THE COMBINATION OF MCA 18Z-19

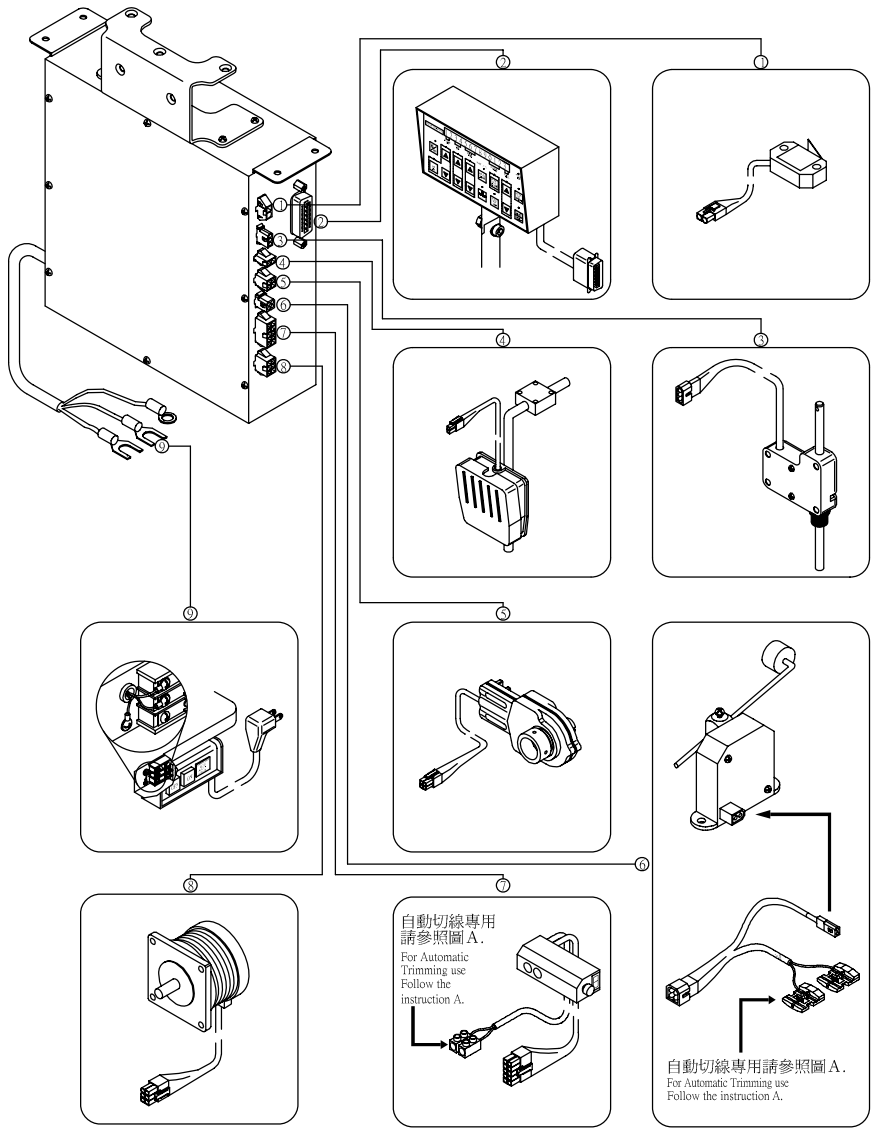
NO. MCL2020B



MCA 18Z-19 接線圖

WIRING DIAGRAM FOR MCA 18Z-19

NO. MCL2032A



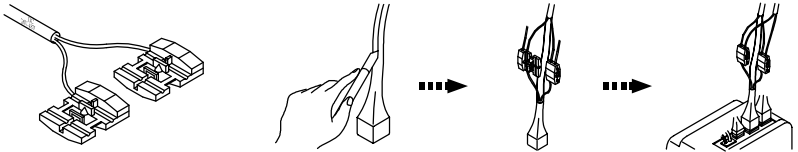
A:自動切線專用

Instruction

A Automatic-Trimming

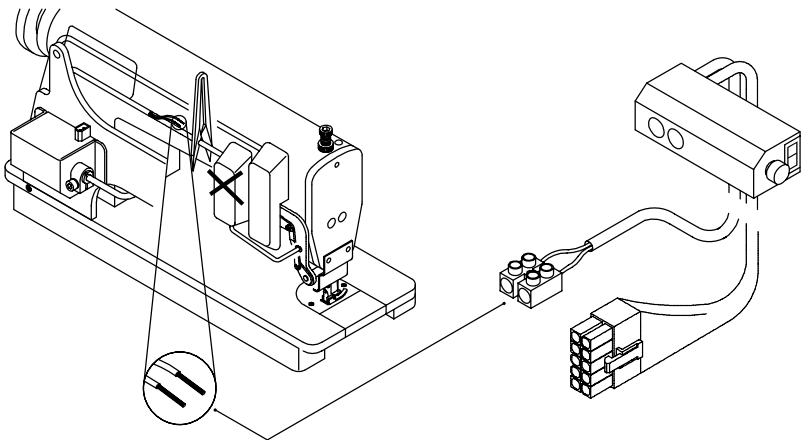
FINDING AND CONNECTING THE POWER CORDS OF AUTO-REVERSE SOLENOID (DC24-48V)
 接於自動切線針車倒針用電磁電源上(DC24-48V)

FOR NONAUTOMATIC-TRIMMING MACHINE, KEEP THIS
 WIRE CONNECTOR ASIDE. CLOSE THE CLIP AS SHOWN BELOW.
 無自動切線之針車此線無須使用並將蓋子蓋上(如圖)

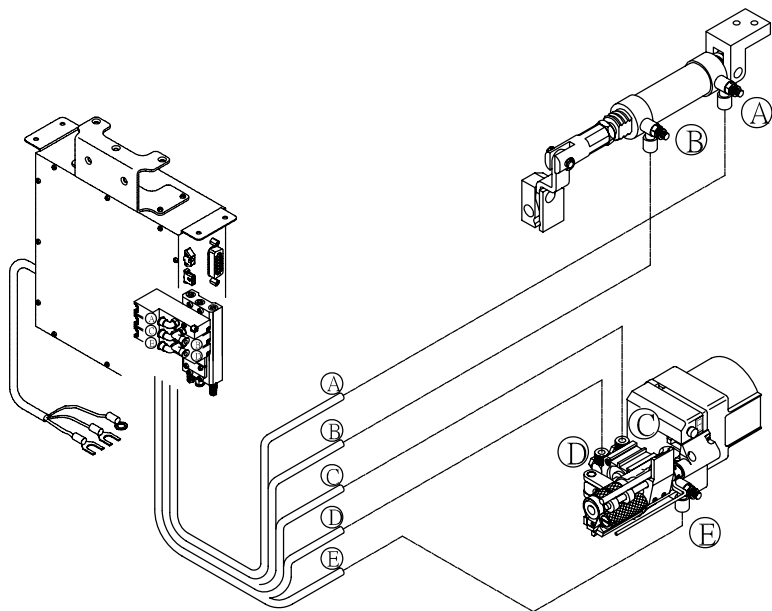


| PIN ALIGNMENT 插頭形狀 | SEWING BRAND 針車廠牌 | APPLICABLE MODELS 適用機型 | AUTO-RELEASE CORD NO. 使用番號 | |
|-----------------------|----------------------|---------------------------|-------------------------------|-------|
| | JUKI | DDL-555-4 | ⊙ ⊙ ⊙ | |
| | | DDL-555-5 DDL-5550-6 | ⊙ ⊙ ⊙ | |
| | | DDL-5550-7 | ⊙ ⊙ ⊙ | |
| | | BROTHER | BROTHER SERIES | ⊙ ⊙ ⊙ |
| | | SINGER | SINGER SERIES | ⊙ ⊙ ⊙ |
| | | TOYOTA | LS2-AD158 | ⊙ ⊙ ⊙ |
| | | | DA-1200 SERIES | ⊙ ⊙ ⊙ |
| | mitsubishi | LS2-180 DB189 LS2-190 | ⊙ ⊙ ⊙ | |

觸摸式倒針開關盒移位接線圖
 The Instruction Of The Relocation Assembly Touch-Back Box



DIRECTION FOR MCA 18Z-19 OF AIR HOST PIOG



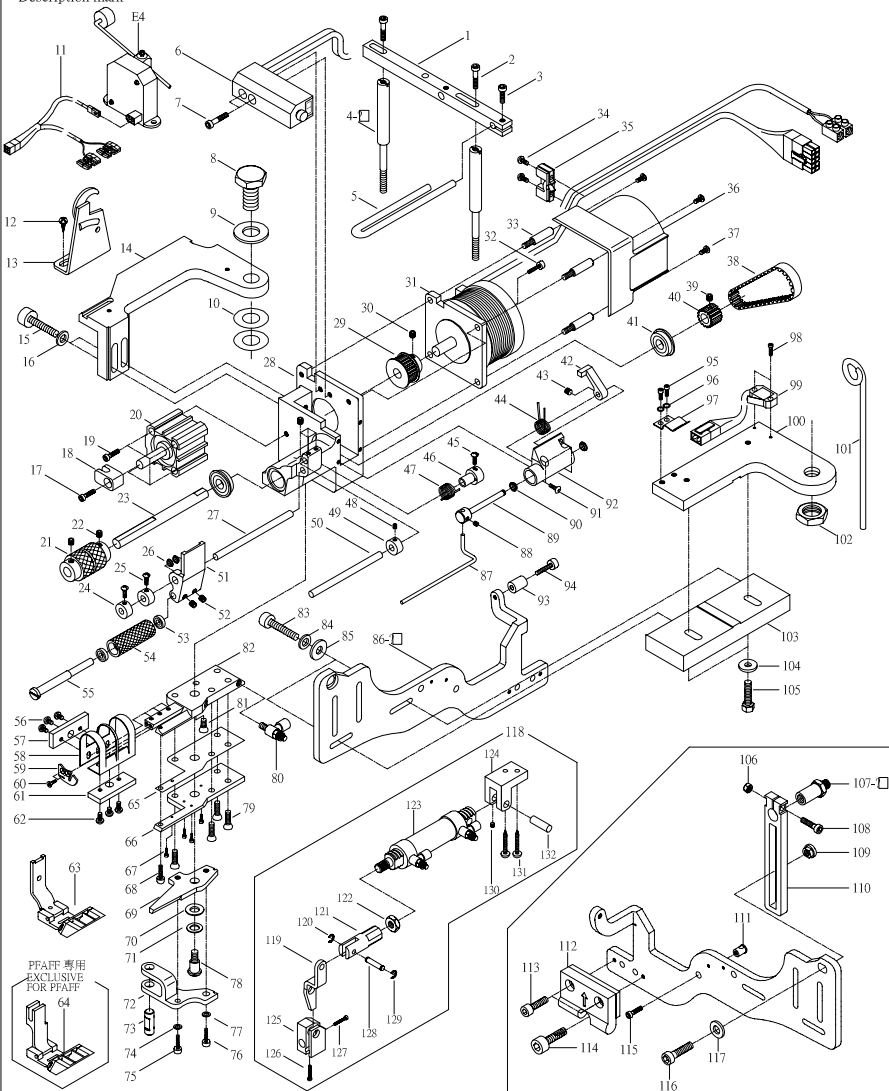
MCA 18Z-19 零件圖

PARTS LIST FOR MCA 18Z-19

NO. MCL2013A

記號說明
Description mark

 選擇性配件，請告知針車廠牌機型
Please indicate sewing machine model no. for optional parts.



MCA 18Z-19 零件圖

PARTS LIST FOR MCA 18Z-19

NO. MCL2013B

