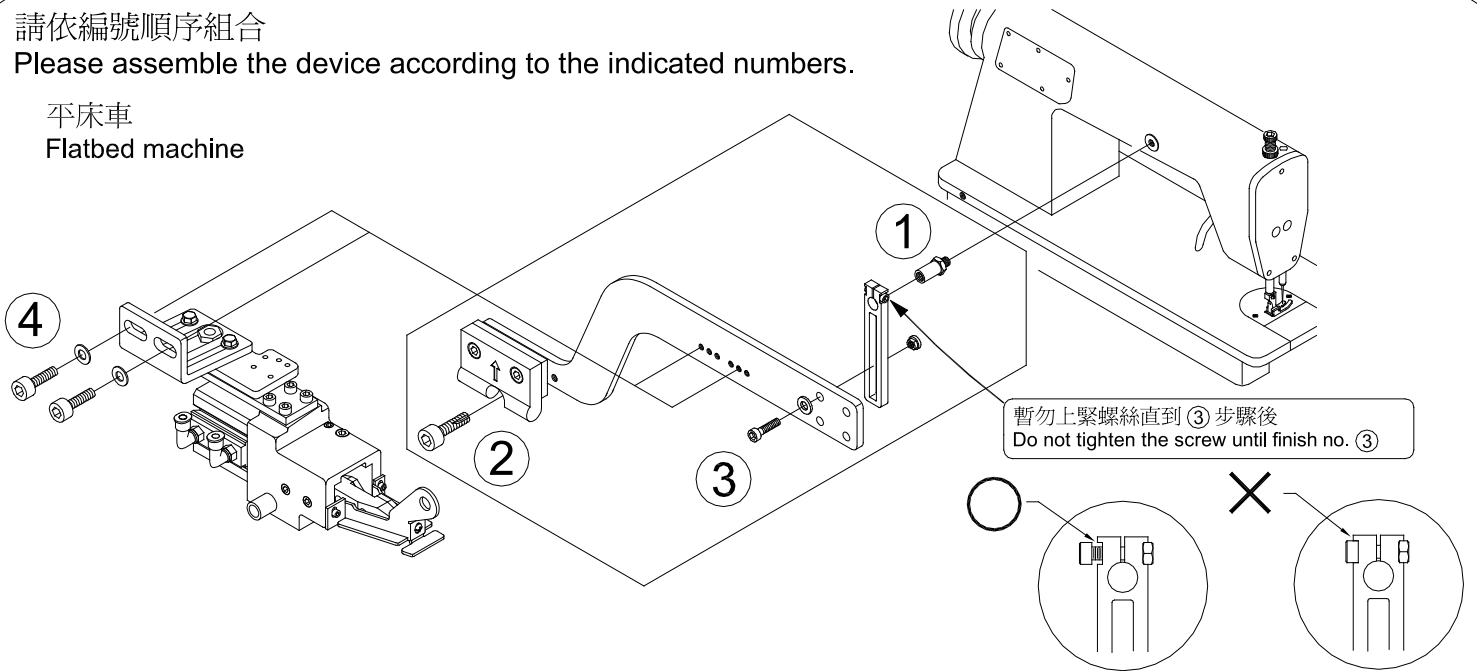


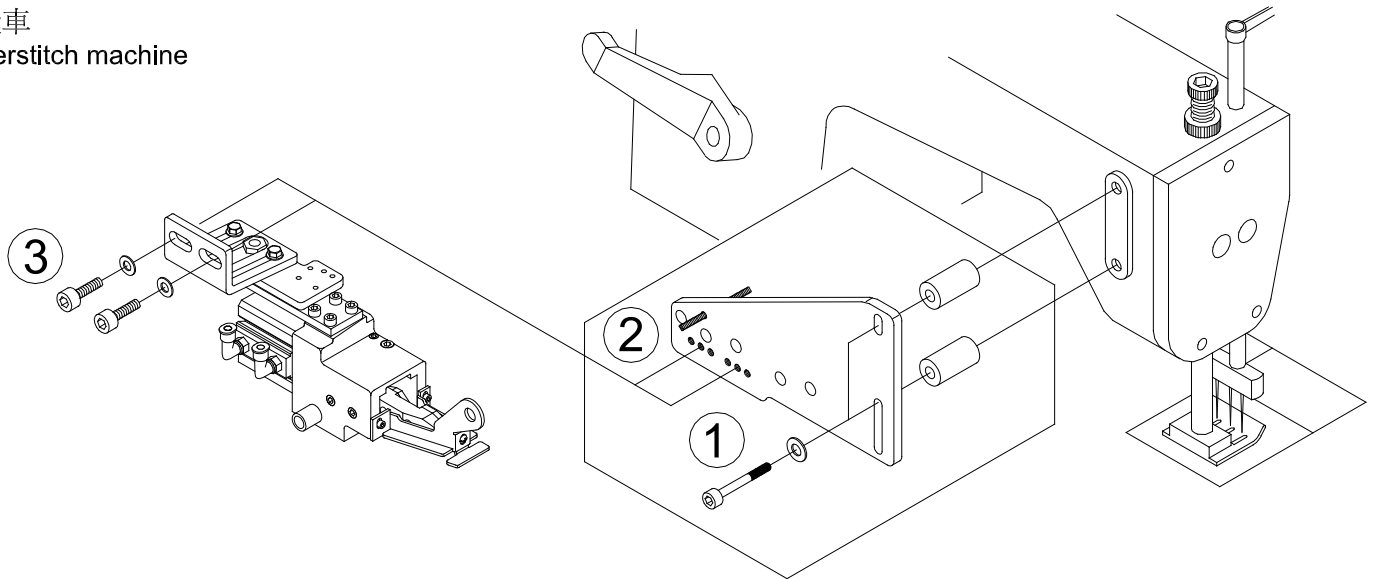
TCM.TCA-L25 / M45 / H50 組合圖  
THE COMBINATION OF TCM.TCA-L25 / M45 / H50

請依編號順序組合  
Please assemble the device according to the indicated numbers.

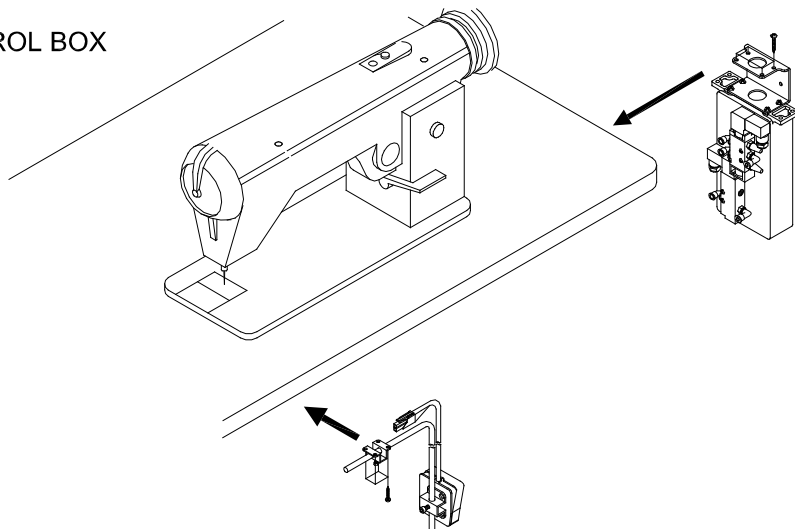
平床車  
Flatbed machine



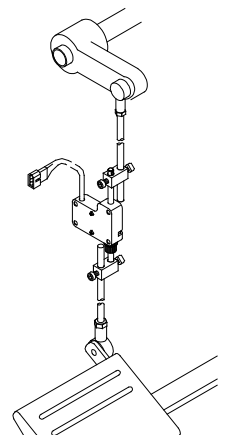
飾縫車  
Coverstitch machine



控制組  
CONTROL BOX



E6-2腳踏開關  
PEDAL SWITCH



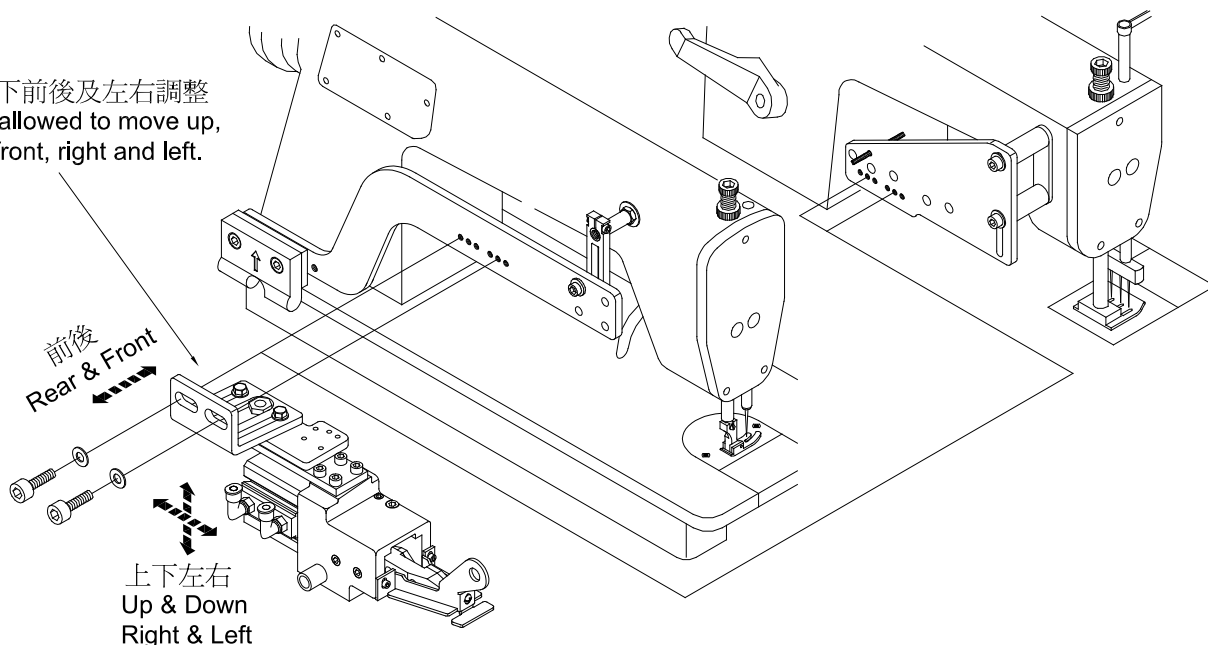
安裝前注意:

此切刀裝置的安裝位置或螺絲孔位置若與拉布裝置或其他裝置產生重疊或干涉時,不能同時使用,請自行設法加工固定

Please note before installation:

When install the TC device, Please relocate if device's location or the screw hole interferes or coincide with Puller or other devices. Otherwise please stop using TC device

基座可以上下前後及左右調整  
The base is allowed to move up, down, rear, front, right and left.



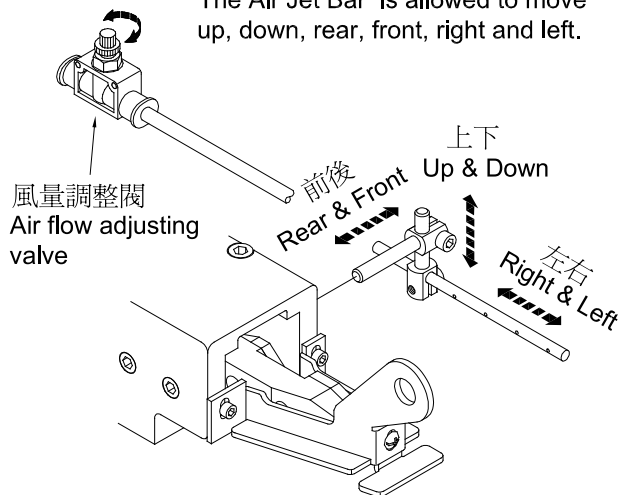
吹氣調整:

吹氣桿的位置及吹氣方向不對或風量太小時,布料會阻塞於壓布腳與切刀之間隙間

Air Jet Bar adjustment:

The material may be jammed at the gap between presser foot and cutter due to the improper location and angle of Air Jet or the weak air flow rate.

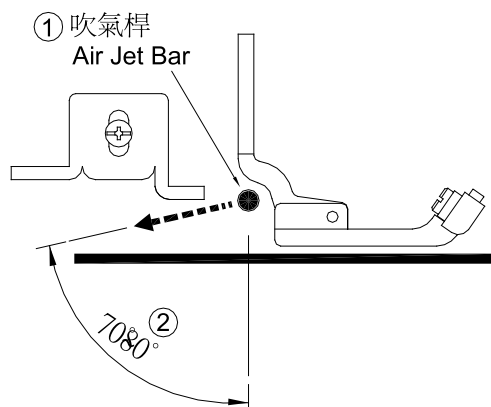
吹氣桿可以上下前後及左右調整  
The Air Jet Bar is allowed to move up, down, rear, front, right and left.



吹氣桿的位置 ① 應靠近壓布腳的後面略低於前端保護蓋  
吹氣口的方向約70°~80° ② 吹氣往上或下均不利送布的順暢

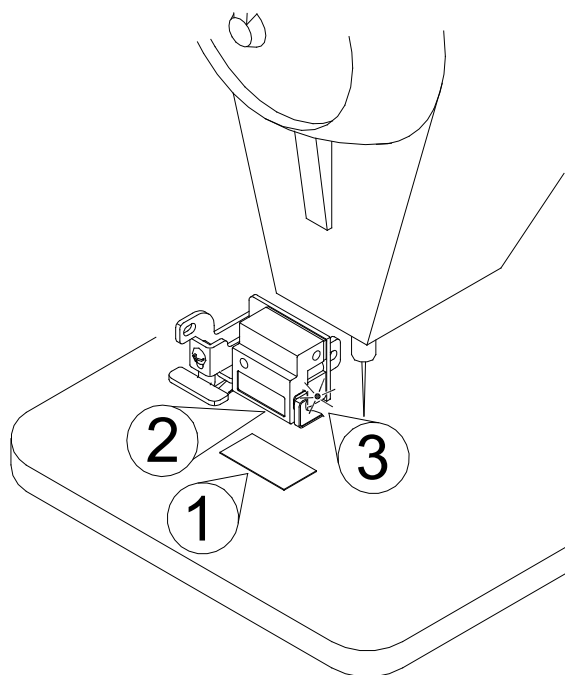
Location of Air Jet Bar ① should be just behind the presser foot and also lower than the safety cover of cutter.

The Angle of Air Jet should be about 70~80 degree ②. If the angle is too high or low, the sewing material may be jammed easily.



自動切刀光電組調整

Adjusting of Auto Tape Cutter with Photo Sensor unit



切刀光電組調整：

1. 反光板① (裁剪1CMx2CM)貼在壓布腳的左側車針與切刀之間
2. 光電調整: 感測器 ② 對準反光板時,感測燈 ③必須是亮的,閃爍或不亮表示位置不準確,必需調整感測器 ② 的上下左右前後或重貼反光板的位置。

Adjusting of photo sensor for tape cutter :

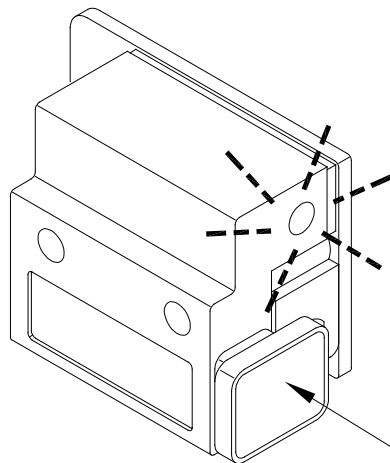
1. The reflection plate ① (for cutting 1cm X 2cm tape) is adhered at left side of presser foot and between needle and cutter.
2. Adjusting of photo sensor : sensor LED ③ must be light up when sensor ② aims at reflection plate. Please adjust the sensor ② up ,down ,left ,right ,forward ,backward ,or if the sensor LED is either sparkly or light off which means the position is not accurate re-adhere the reflection plate to adjust position if necessary.

切刀重置開關使用說明

Operation guide of Reset Switch for Auto Cutter

使用說明：在車縫中途，因故取出布料時（例如：斷線或其他因素）。此燈亮時表示即將切刀，必須在放入布料後車縫前壓(圖一)按鍵，使切刀燈熄滅，取消因不正常狀況而誤切刀。（否則再度車縫會依設定已車縫針數自動切刀）

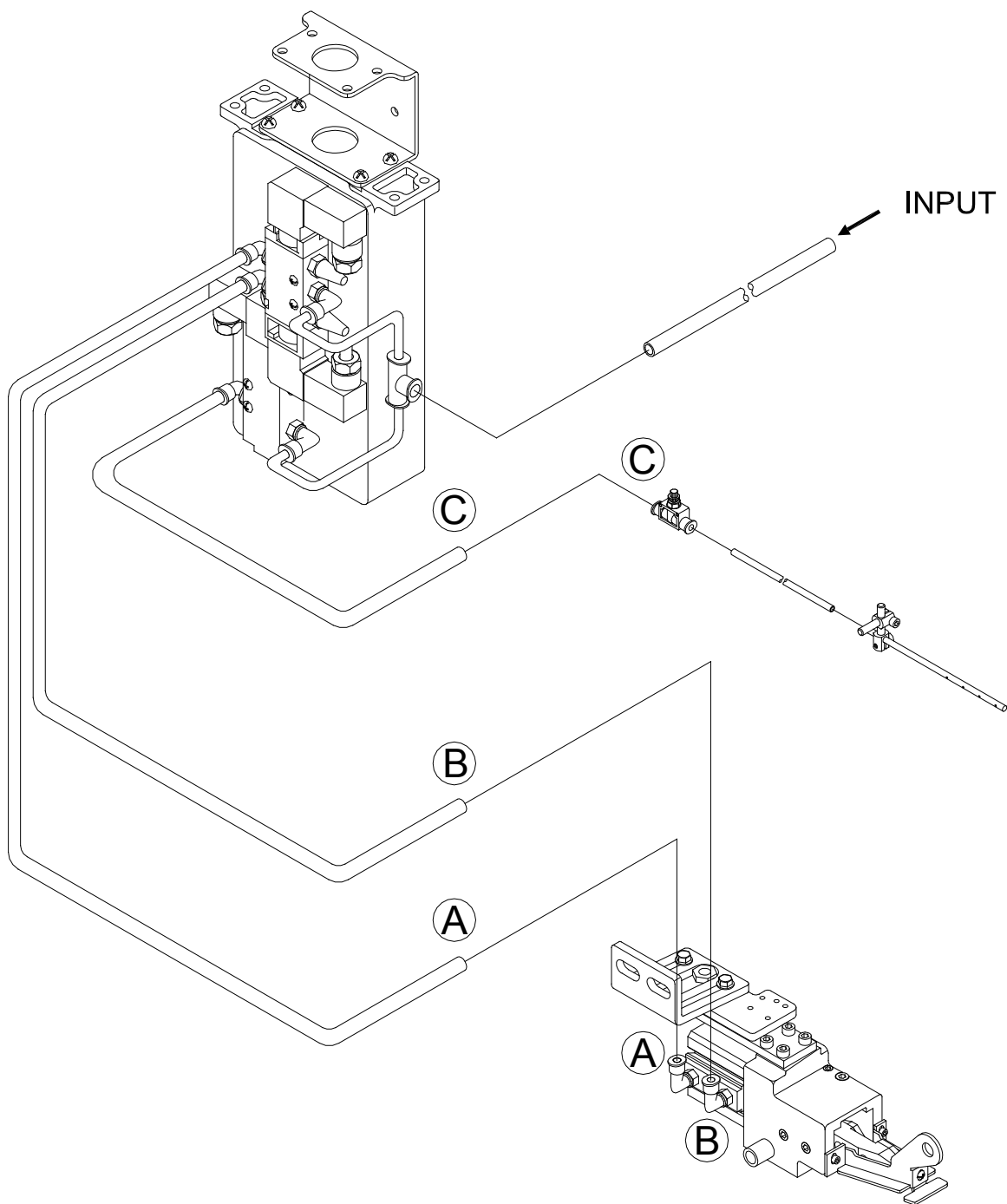
Operation guide : Push this button (Figure 1) to reset the process when operator is facing their proper operation ( Such as Thread broken.) If the LED is Light ON which is mean cutter is ready to act, it is very important to push this button to reset the process before starting sewing after re-run the material. (Otherwise, the cutter will be acted by stitch counter automatically.)



(圖一)  
(Figure 1)  
切刀重置開關  
Reset Switch for Auto Cutter

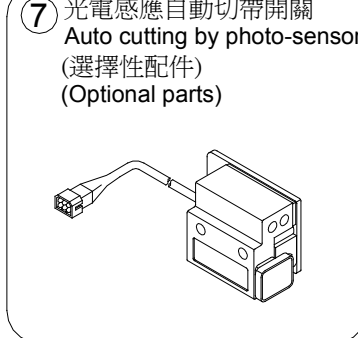
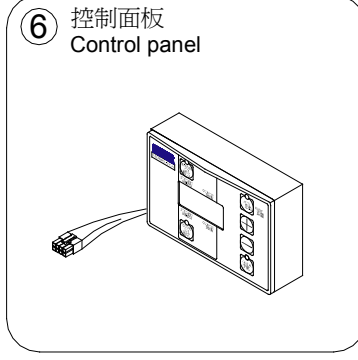
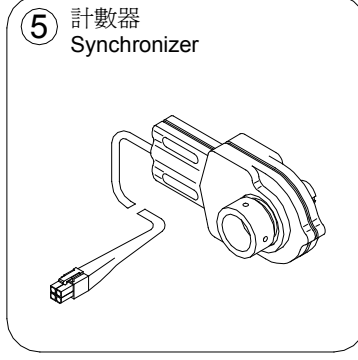
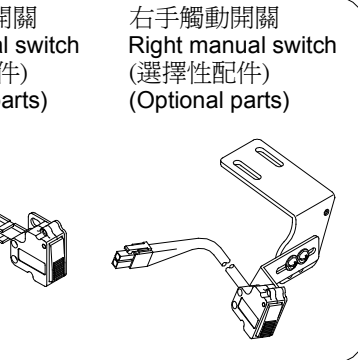
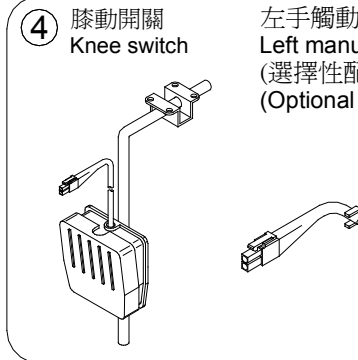
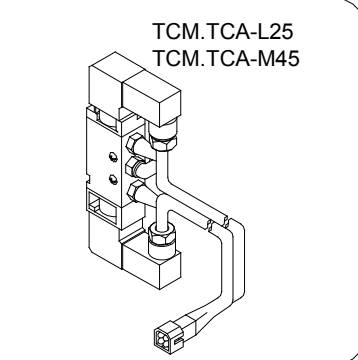
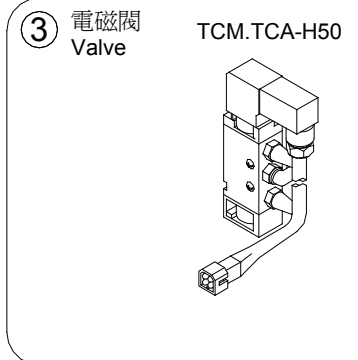
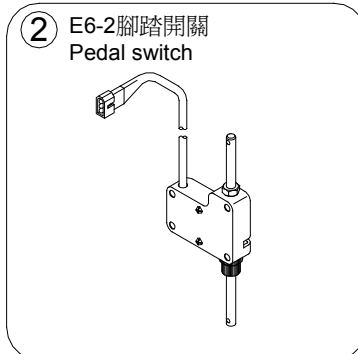
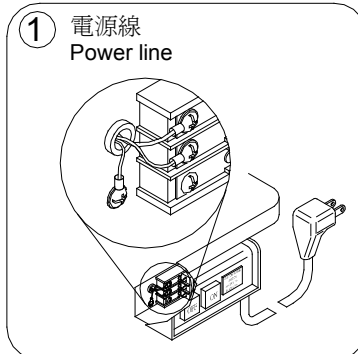
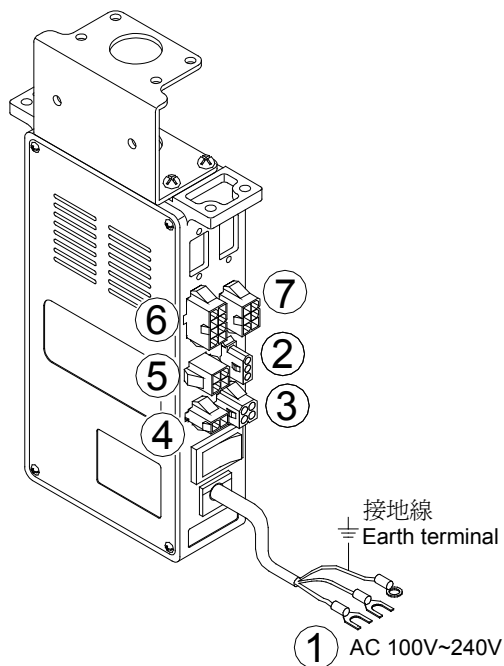
TCM / TCA 控制箱管路圖

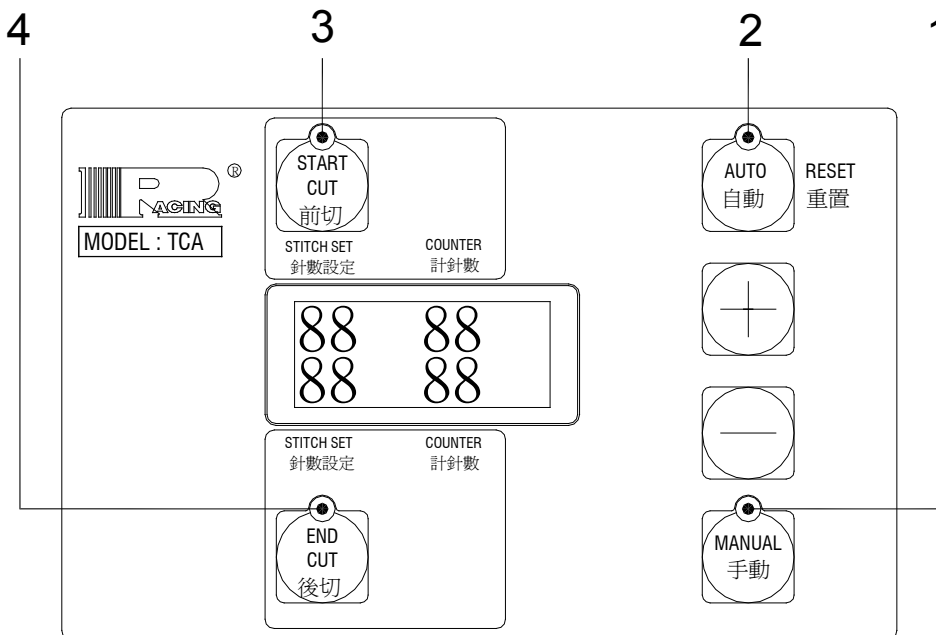
AIR HOUSE PLUG DIAGRAM FOR TCM / TCA CONTROL BOX



TCA 控制箱接線圖

WIRING DIAGRAM FOR TCA CONTROL BOX





- 1 手動切刀
- 2 自動切刀：設定針數累計到達時自動切刀
- 3 前切：布料前端切刀
- 4 後切：布料後端切刀

- 1 MANUAL
- 2 AUTO : Auto cut when reach the set stitch number.
- 3 START CUT : Cut at material front position.
- 4 END CUT : Cut at material end position.

## 手動切刀操作說明

### Operation guide for MANUAL



## 自動切刀操作說明

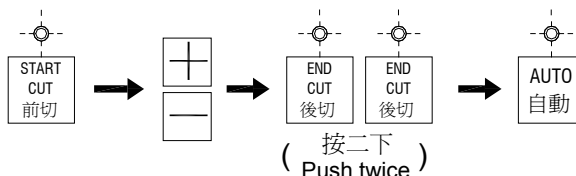
### Operation guide for AUTO

(在自動切刀的模式下,亦可同時使用手動切刀)

(Manual function is also available under Auto mode.)

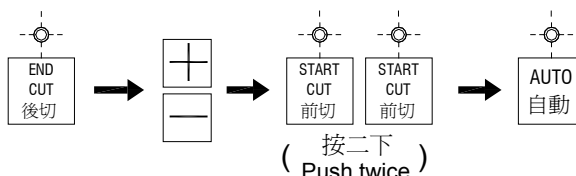
#### 例一：前切

Example 1 : Start cut



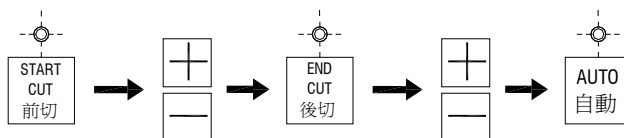
#### 例二：後切

Example 2 : End cut



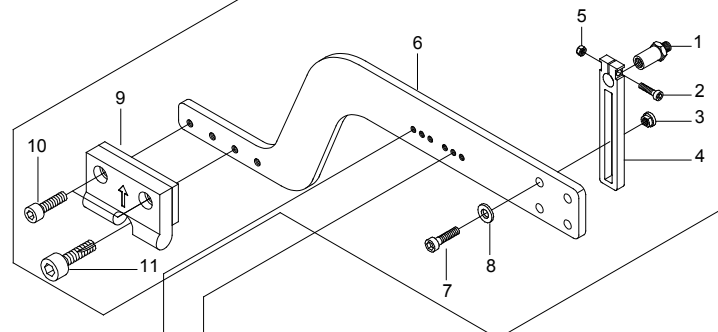
#### 例三：前後切

Example 3 : Start cut and end cut

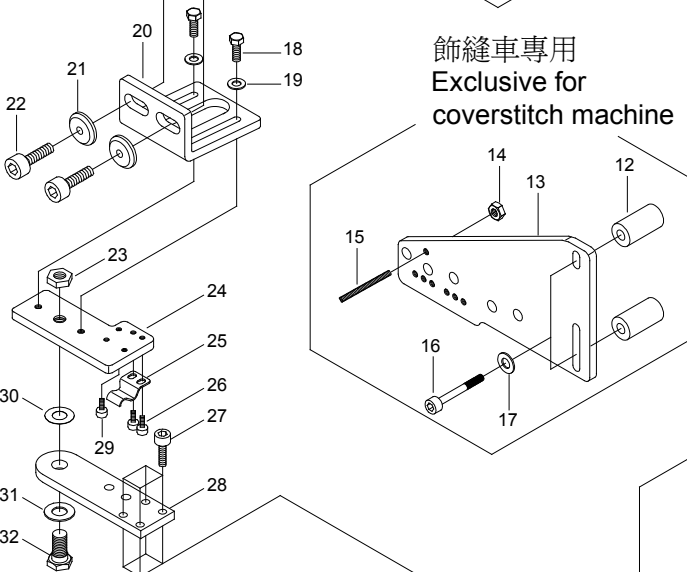


TCM.TCA-L25 / M45 / H50 零件圖  
PARTS LIST FOR TCM.TCA-L25 / M45 / H50

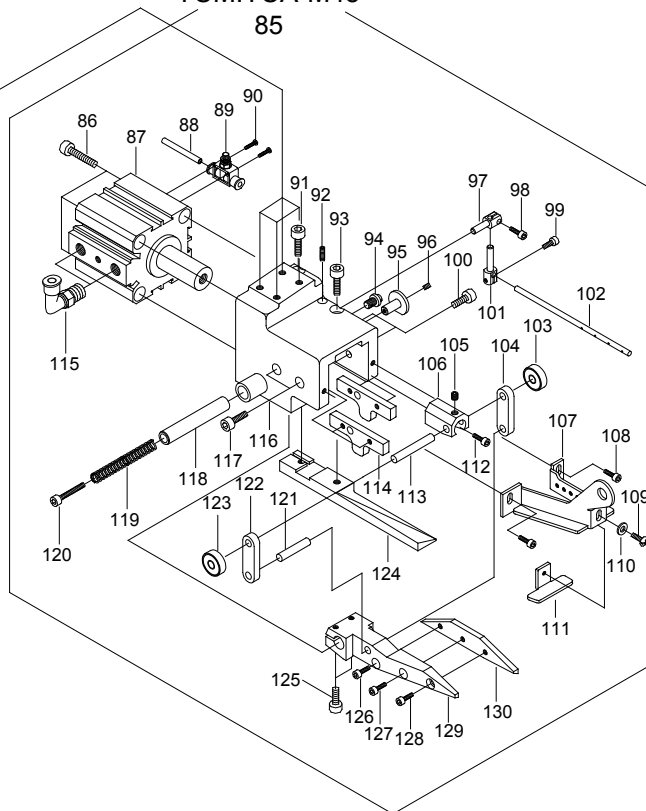
平床車專用  
Exclusive for flatbed machine



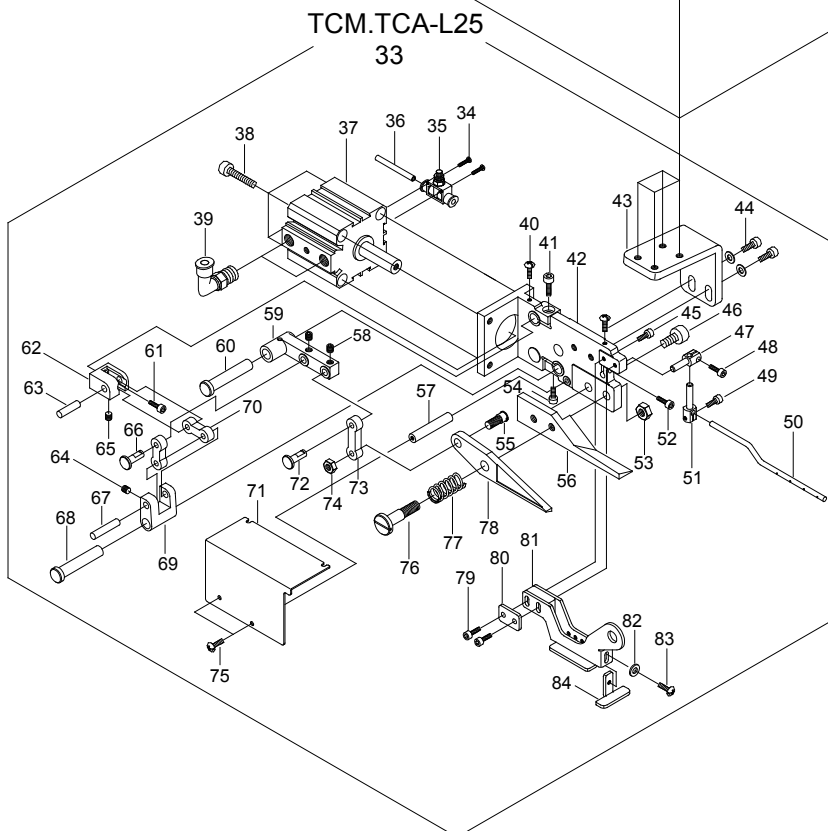
飾縫車專用  
Exclusive for coverstitch machine



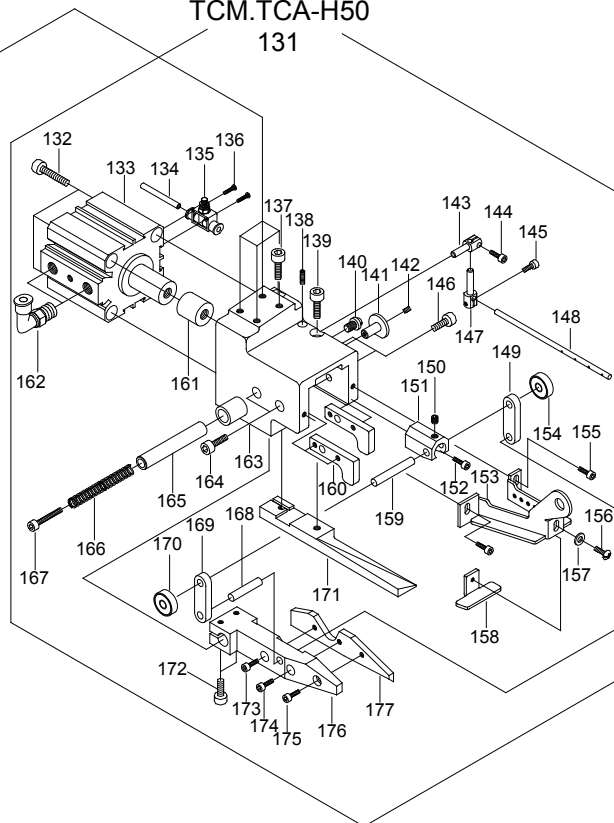
TCM.TCA-M45  
85



TCM.TCA-L25  
33



TCM.TCA-H50  
131



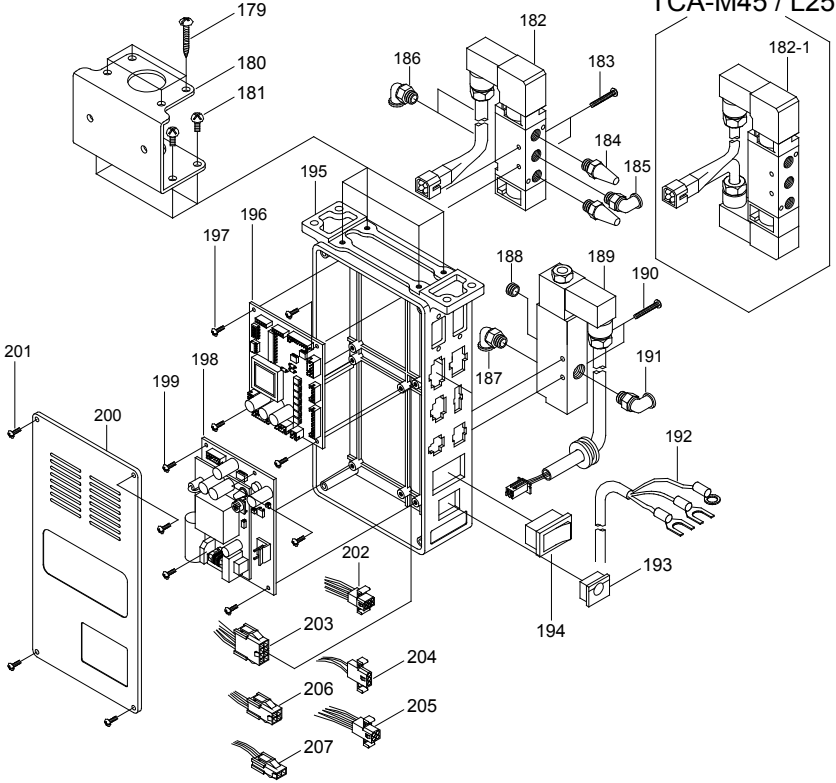
TCA-L25 / M45 / H50 零件圖  
PARTS LIST FOR TCA-L25 / M45 / H50

記號說明  
Mark description

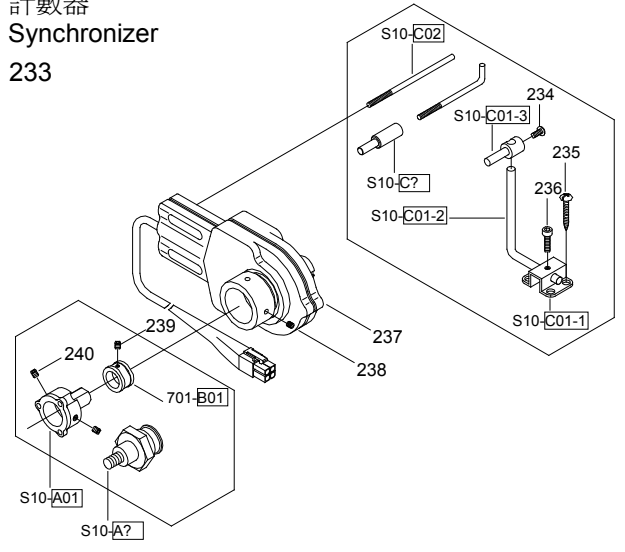
? 選擇性配件,請告知針車廠牌機型  
Optional parts, Please indicate sewing machine model No. for optional parts.

□ 選擇性配件  
Optional parts

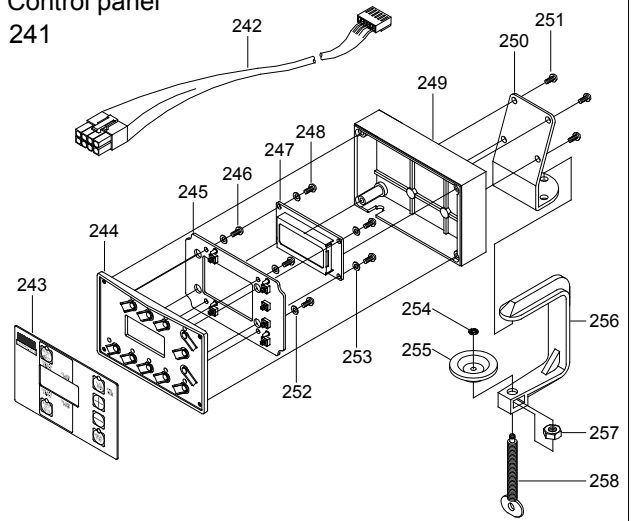
178



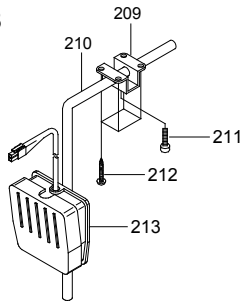
計數器  
Synchronizer  
233



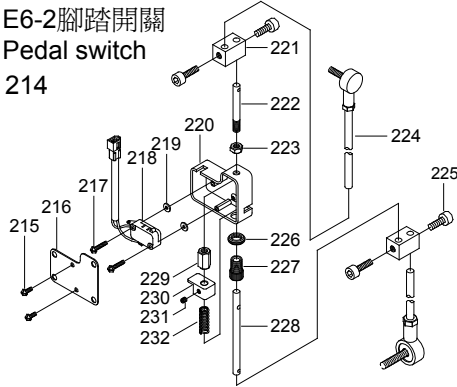
控制面板  
Control panel  
241



膝動開關  
Knee switch  
208

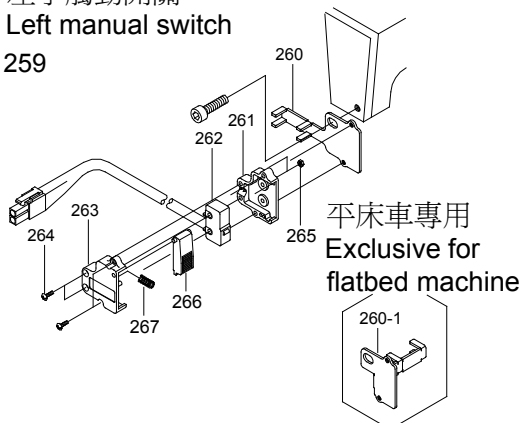


E6-2腳踏開關  
Pedal switch  
214

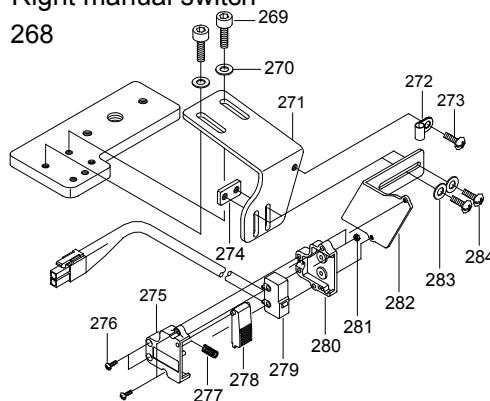


選擇性配件  
OPTIONAL PARTS

左手觸動開關  
Left manual switch  
259



右手觸動開關  
Right manual switch  
268



光電感應自動切帶開關  
Auto cutting by Photo-sensor  
285

