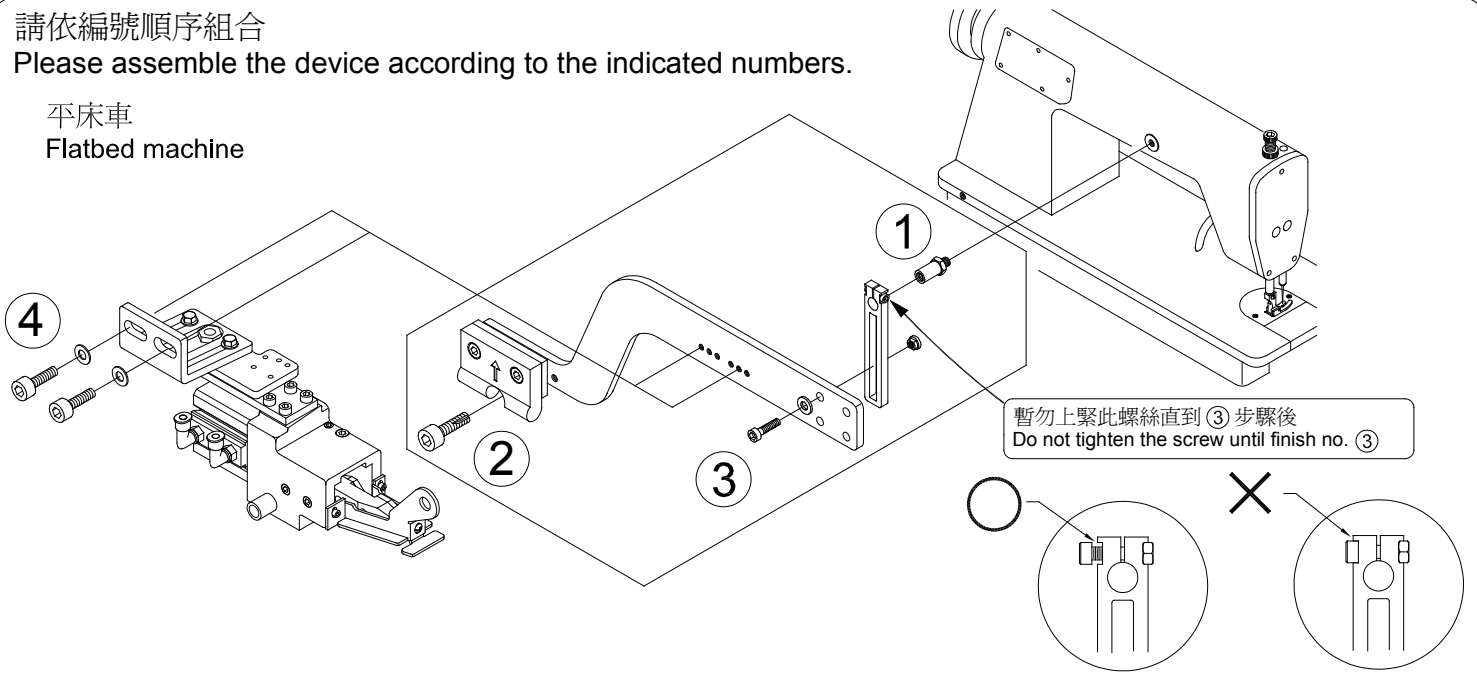


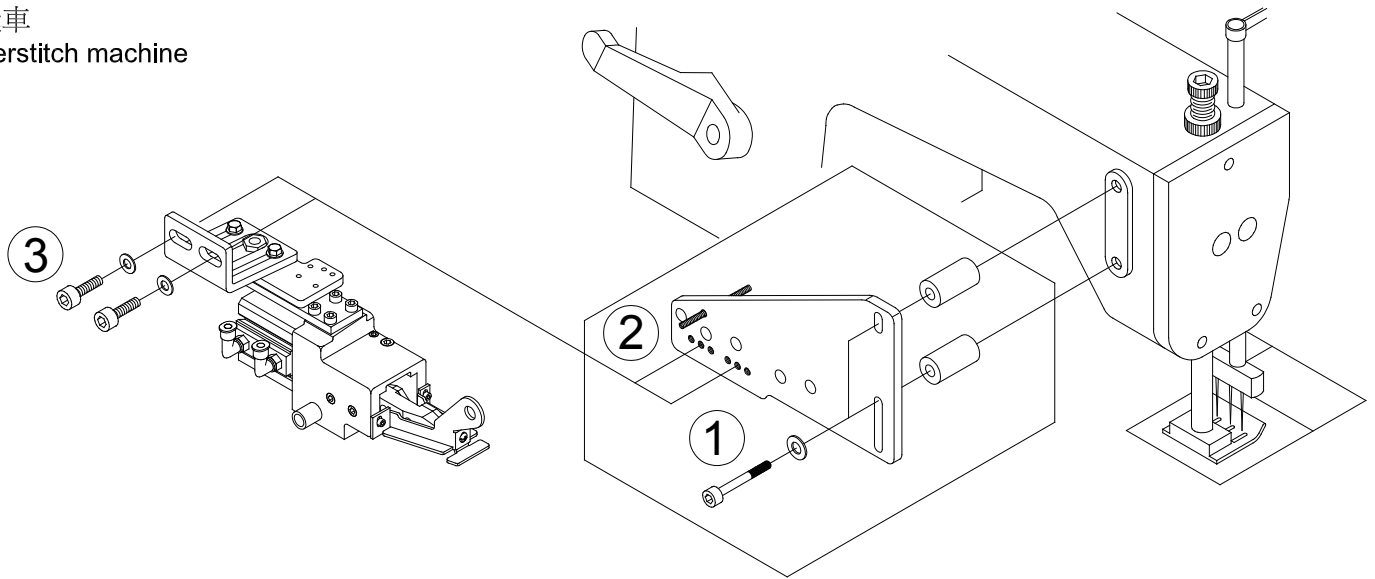
TCM.TCA-L25 / M45 / H50 組合圖 THE COMBINATION OF TCM.TCA-L25 / M45 / H50

請依編號順序組合
Please assemble the device according to the indicated numbers.

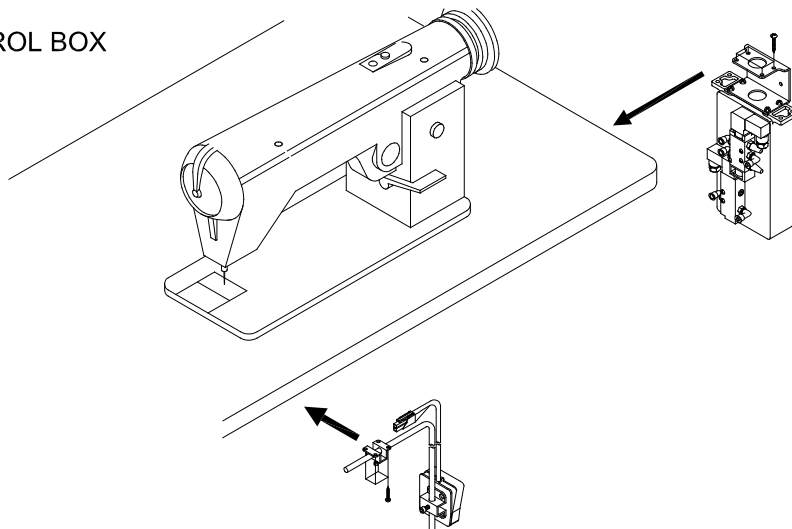
平床車
Flatbed machine



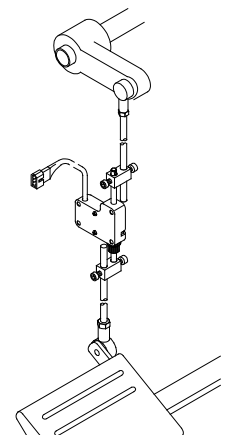
飾縫車
Coverstitch machine



控制組
CONTROL BOX



E6-2腳踏開關
PEDAL SWITCH



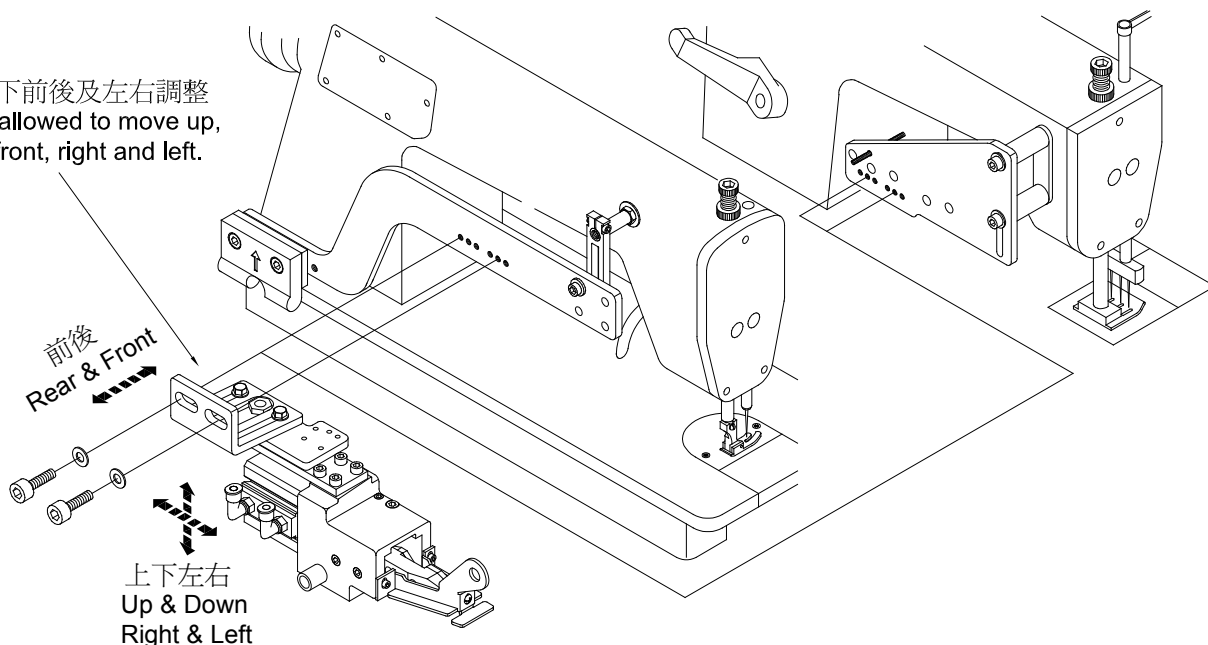
安裝前注意:

此切刀裝置的安裝位置或螺絲孔位置若與拉布裝置或其他裝置產生重疊或干涉時,不能同時使用,請自行設法加工固定

Please note before installation:

When install the TC device, Please relocate if device's location or the screw hole interferes or coincide with Puller or other devices. Otherwise please stop using TC device

基座可以上下前後及左右調整
The base is allowed to move up, down, rear, front, right and left.



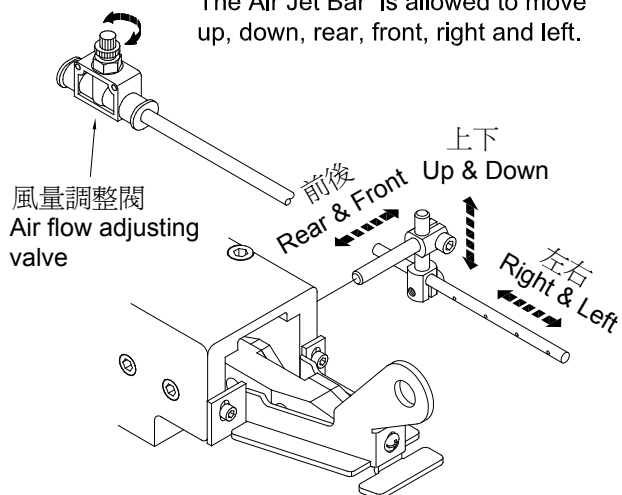
吹氣調整:

吹氣桿的位置及吹氣方向不對或風量太小時,布料會阻塞於壓布腳與切刀之間隙間

Air Jet Bar adjustment:

The material may be jammed at the gap between presser foot and cutter due to the improper location and angle of Air Jet or the weak air flow rate.

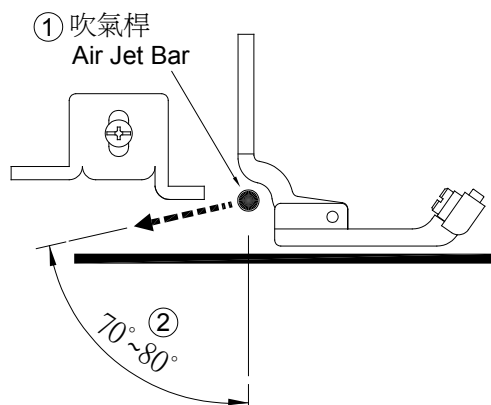
吹氣桿可以上下前後及左右調整
The Air Jet Bar is allowed to move up, down, rear, front, right and left.



吹氣桿的位置 ① 應靠近壓布腳的後面略低於前端保護蓋
吹氣口的方向約70°~80° ② 吹氣往上或下均不利送布的順暢

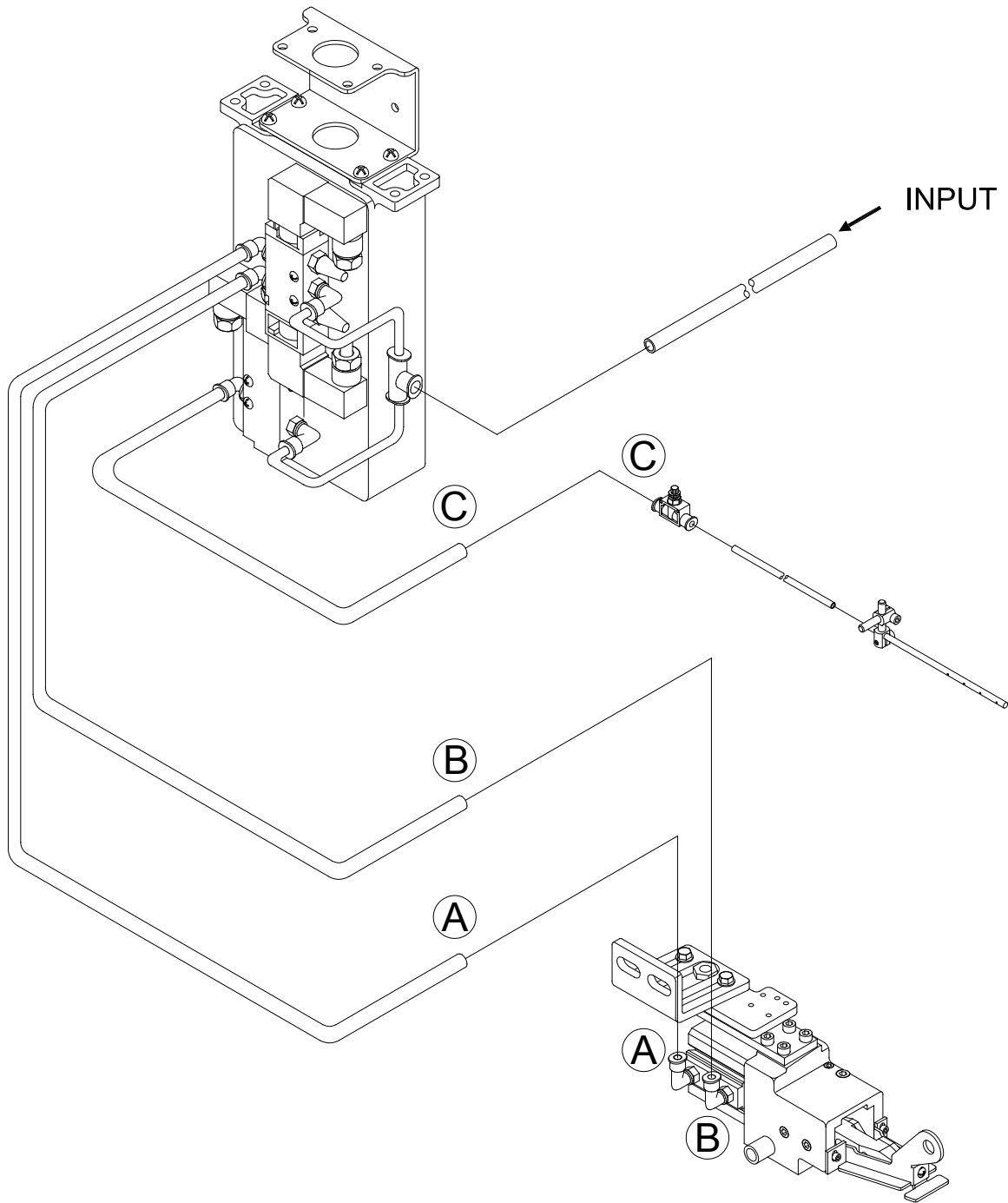
Location of Air Jet Bar ① should be just behind the presser foot and also lower than the safety cover of cutter.

The Angle of Air Jet should be about 70~80 degree ②. If the angle is too high or low, the sewing material may be jammed easily.

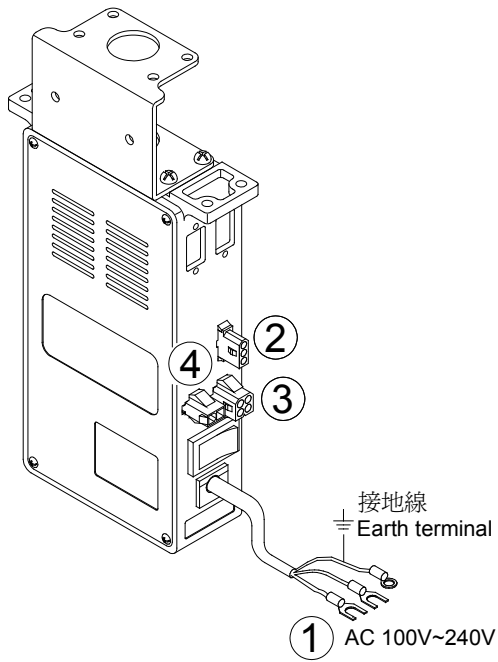


TCM / TCA 控制箱管路圖

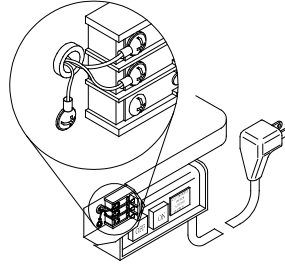
AIR HOUSE PLUG DIAGRAM FOR TCM / TCA CONTROL BOX



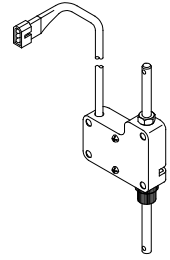
TCM 控制箱接線圖
WIRING DIAGRAM FOR TCM CONTROL BOX



① 電源線
Power line

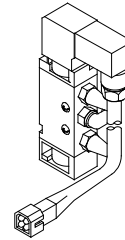


② E6-2腳踏開關
Pedal switch

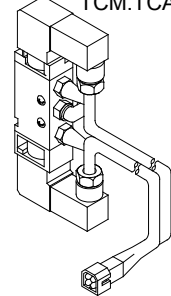


③ 電磁閥
Valve

TCM.TCA-H50



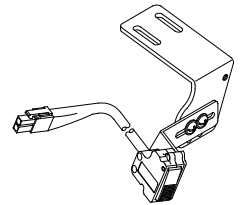
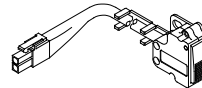
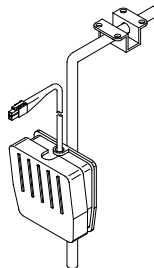
TCM.TCA-L25
TCM.TCA-M45



④ 膝動開關
Knee switch

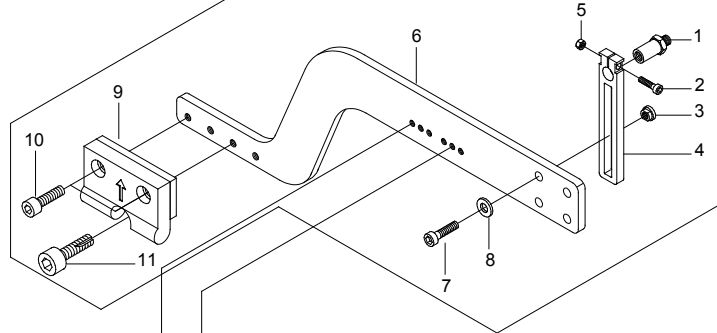
左手觸動開關
Left manual switch
(選擇性配件)
(Optional parts)

右手觸動開關
Right manual switch
(選擇性配件)
(Optional parts)

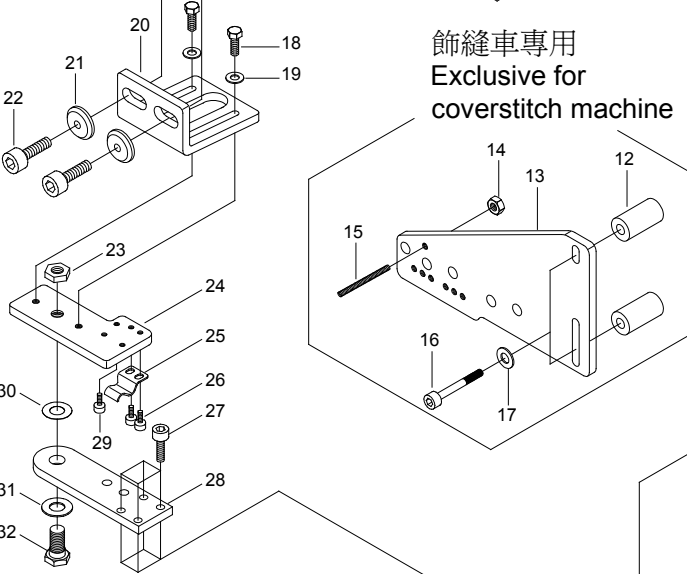


TCM.TCA-L25 / M45 / H50 零件圖
PARTS LIST FOR TCM.TCA-L25 / M45 / H50

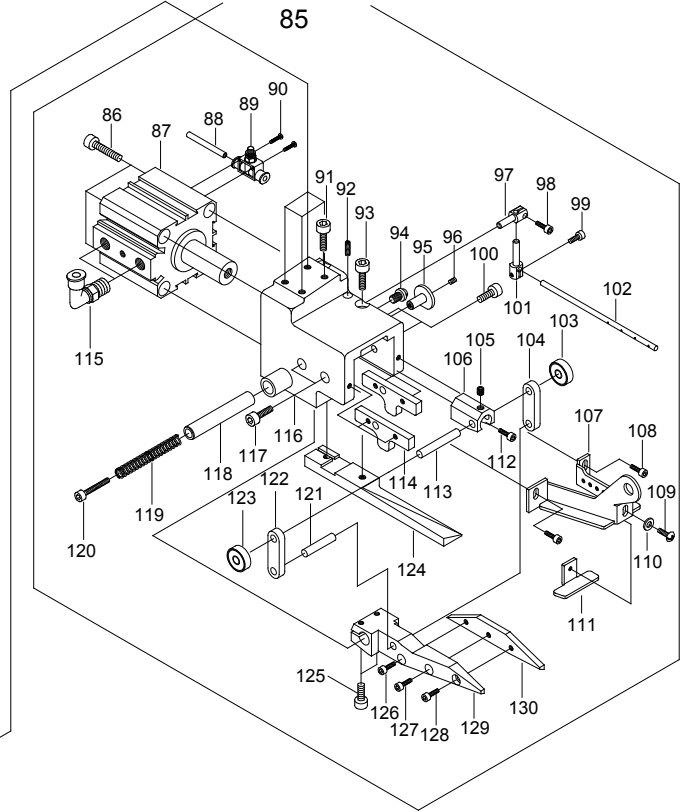
平床車專用
Exclusive for flatbed machine



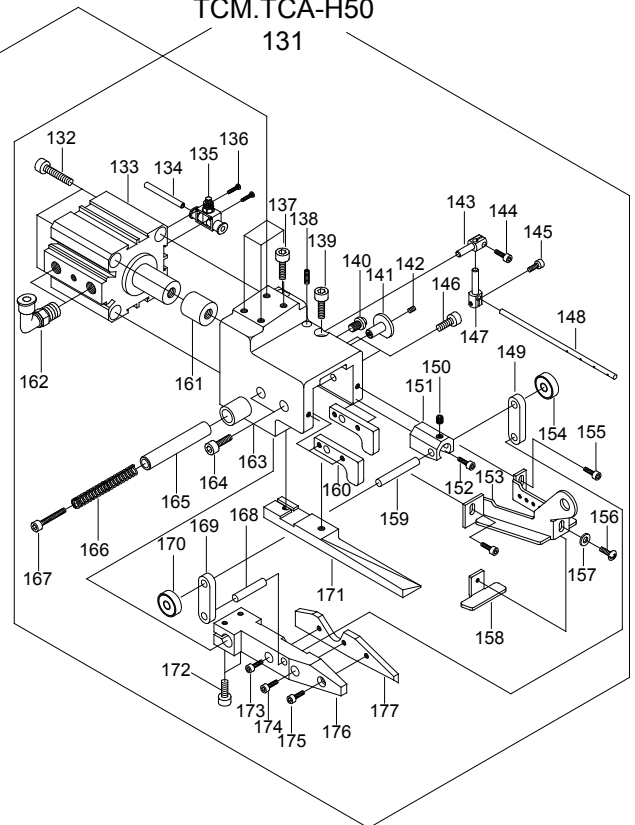
飾縫車專用
Exclusive for coverstitch machine



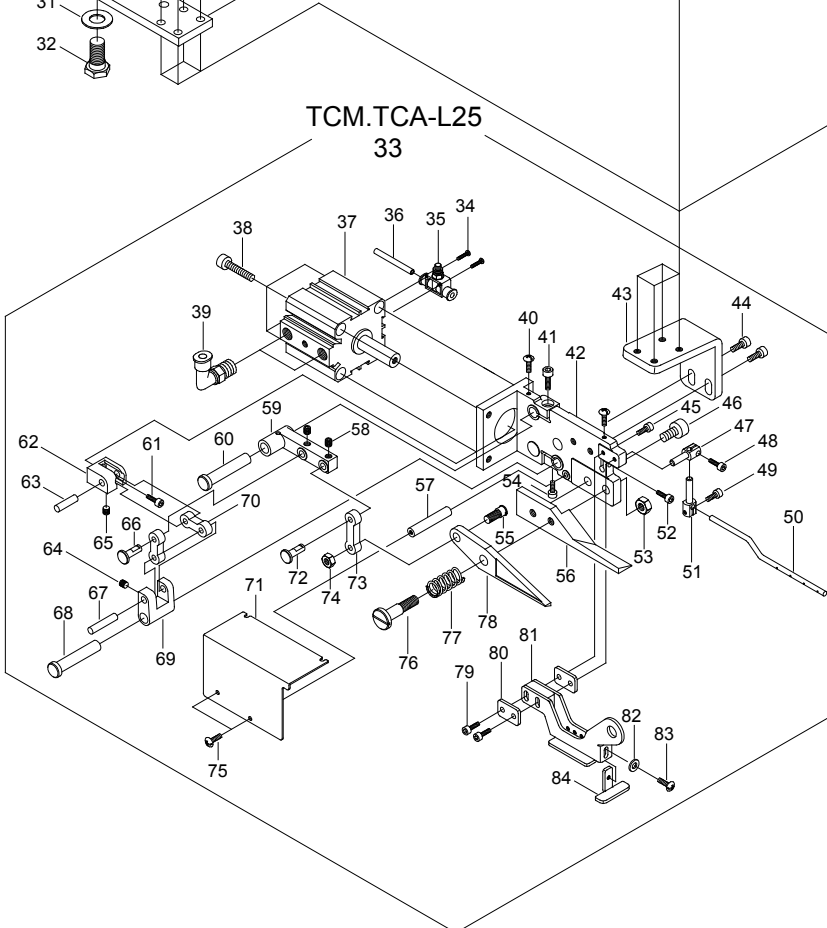
TCM.TCA-M45
85



TCM.TCA-H50
131

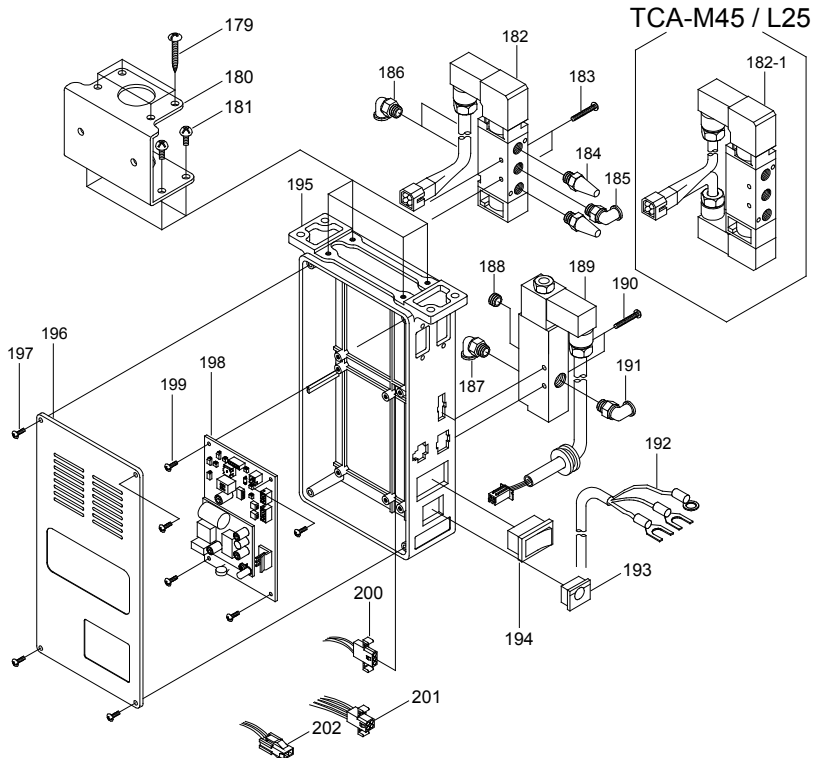


TCM.TCA-L25
33

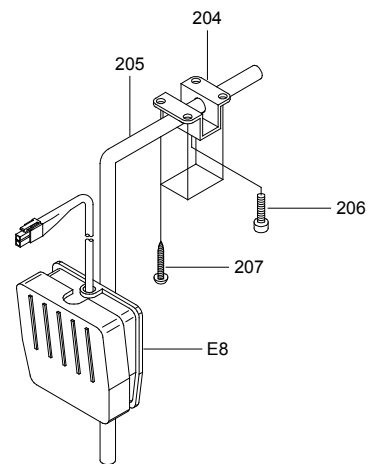


TCM-L25 / M45 / H50 零件圖
PARTS LIST FOR TCM-L25 / M45 / H50

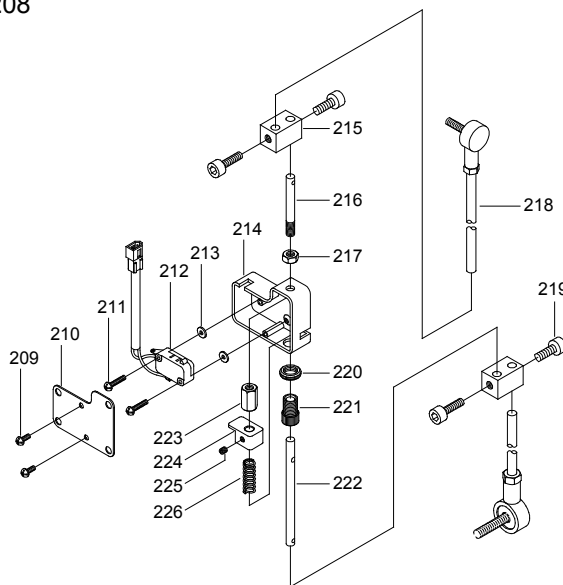
178



203

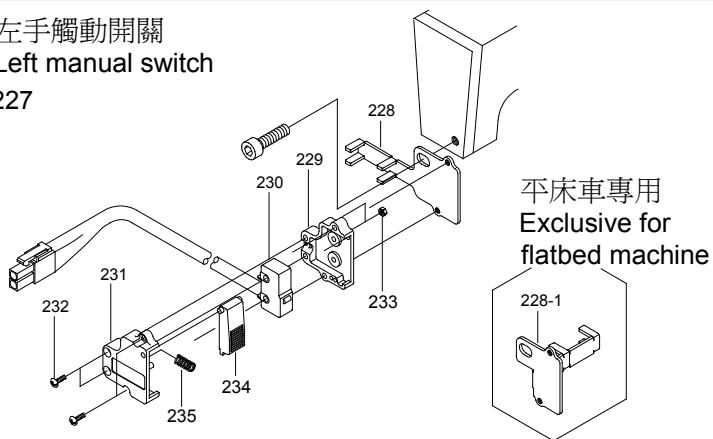


208



選擇性配件
OPTIONAL PARTS

左手觸動開關
Left manual switch
227



右手觸動開關
Right manual switch
236

