

PARTS BOOK

KM-341BL

고속 1본침 본봉 상하송 재봉기
High Speed, 1-Needle, Upper and Lower
Feed Lock Stitch Machine W/Large Hook



PME-060502

SUNSTAR MACHINERY CO., LTD.

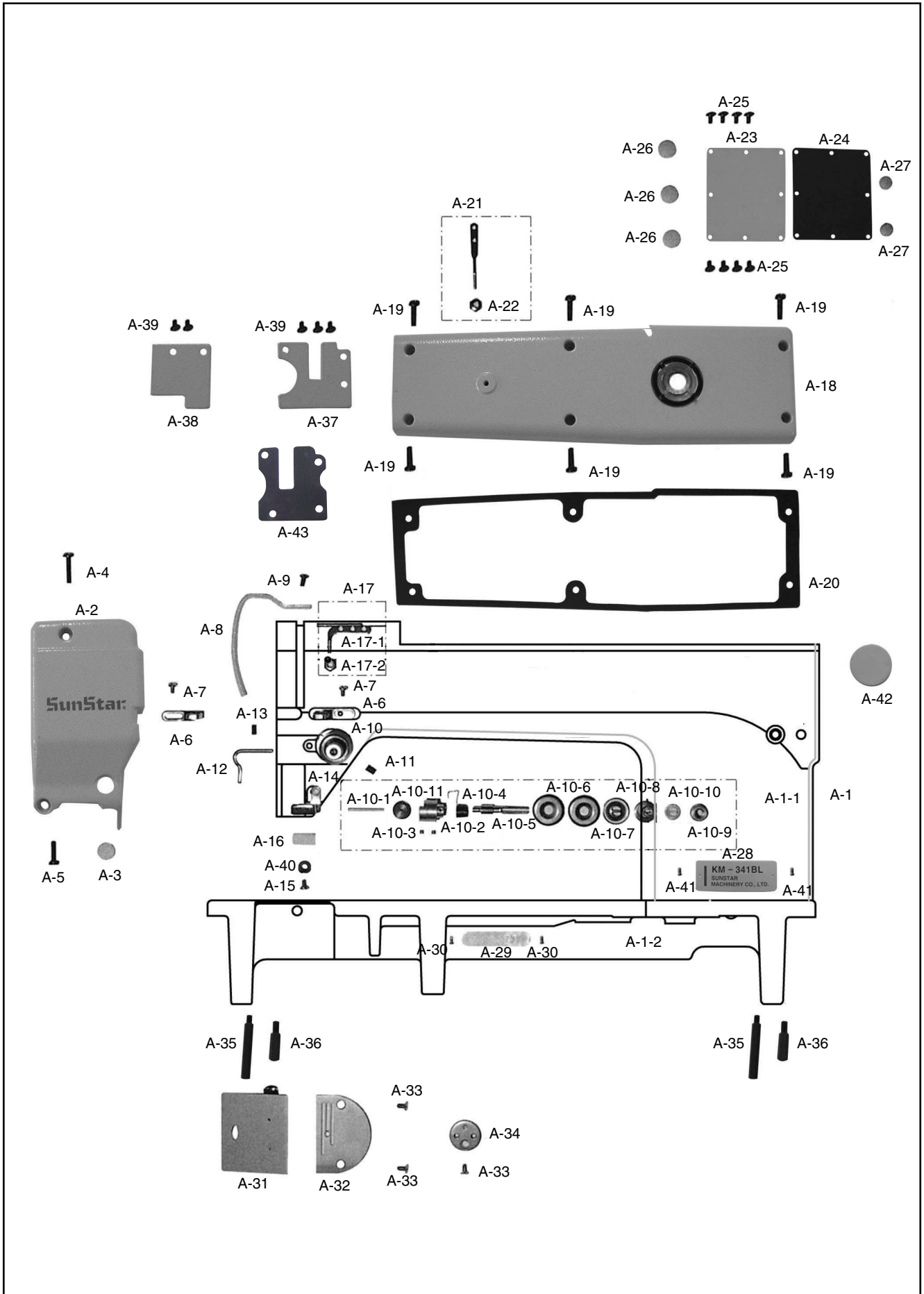
CONTENTS

목 차

A	<i>Machine Body & Thread Tension Adjusting Mechanism</i> 외장 및 실장력 조절관계.....	4
B	<i>Upper Shaft & Needle Bar & Upright Shaft & Lower Shaft Mechanism</i> 상축, 바늘대 및 입축, 하축관계.....	6
C	<i>Presser Foot & Upper Feed Mechanism</i> 노루발 및 상피이드 관계.....	8
D	<i>Lower Feed Mechanism</i> 하피이드 관계.....	10
E	<i>Presser Bar & Knee Lifting Mechanism</i> 누름대 및 무릎올림 관계.....	12
F	<i>Lubrication</i> 급유 관계.....	14
G	<i>Accessories</i> 액세서리 관계.....	16

A

Machine Body & Thread Tension Adjusting Mechanism 외장 및 실장력 조절관계



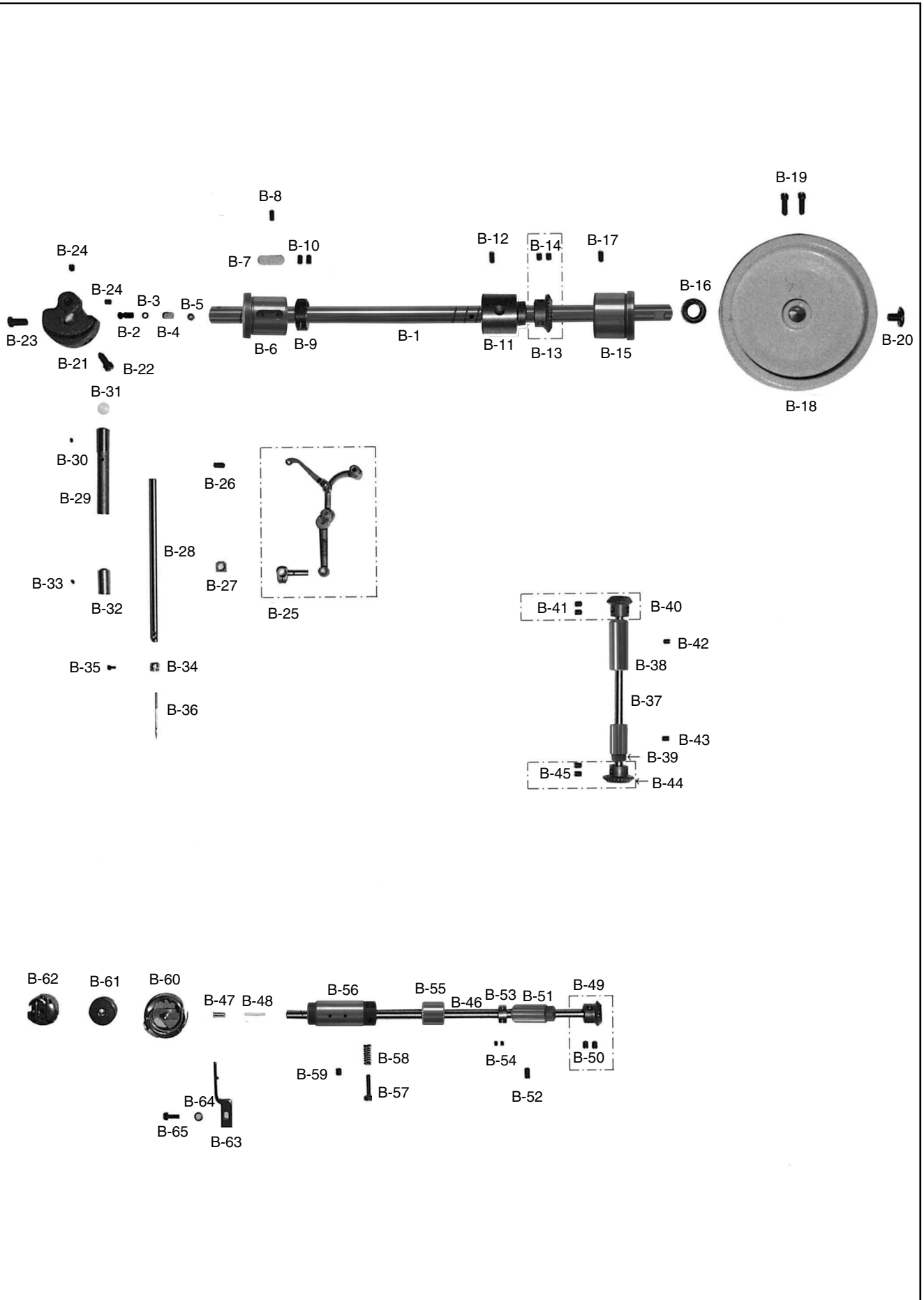


Ref. No.	Parts No.	Note	Name of Parts	품명	Q'ty	Assembly No.
A-1	AS-001960-00		ARM BED ASS'Y	암 베드(조)	1	
A-1-1	GP-007728-04		ARM	암	1	
A-1-2	GP-007802-00		BED	베드	1	
A-2	GP-007932-00		FACE PLATE	면판	1	
A-3	01-110R-1230		RUBBER PLUG(NEEDLE BAR ADJUSTING HOLE)	면판고무마개 (중) 흰색 (3)	1	
A-4	SC-0214-3400		SCREW(11/64" N=40)	면판걸이나사하 - 신형(4118)	1	
A-5	SC-0498-3710		SCREW(11/64" N=40)	가마잡이나사(4122)	1	
A-6	01-007C-3400		THREAD GUIDE FOR A-1	암실안내	2	
A-7	SC-0120-1230		SCREW (9/64" N=40)	오일펌프커버나사(2118)	2	
A-8	01-109C-3400		COVER FOR TAKE-UP LEVER	실채기커버	1	
A-9	SC-0543-2302		SCREW(11/64" N=40)	톱커버힌지조정나사(4525)	1	
A-10	40-104A-640L		TENSION COMPLETED ASS'Y	실조절장치	1	
A-10-1	40-504A-1230		TENSION RELEASE PIN	사조자핀	1	
A-10-2	40-104A-1230		TENSION PAST SOCKET	실조절 장치붓싱	1	
A-10-3	40-604S-1230		SET SCREW FOR A-10-5	실조절장치축고정나사	2	
A-10-4	40-111G-1230		CHECK SPRING	뽕뽕스프링 (D - 1 4 6)	1	
A-10-5	40-404A-1230		TENSION STUD	실조절장치축	1	
A-10-6	40-204A-1230		TENSION DISK	실안내접시	2	
A-10-7	40-304A-1230		TENSION RELEASE WASHER	실조절스프링받침	1	
A-10-8	40-333G-123B		TENSION SPRING	실장력조절스프링(123B)	1	
A-10-9	40-804W-1230		RATCHET FOR A-10-10	실장력조절스프링스토퍼	1	
A-10-10	40-704C-1230		TENSION ADJUSTING KNOB	실조절장치조절너트	1	
A-10-11	40-008R-1230		TENSION COMPLETED RUBBER CAP	실조절장치고무캡	1	
A-11	SC-0114-1230		SCREW (15/64" N=28)	피이드캠고정나사(만금) (4515)	1	
A-12	01-032C-1230		THREAD GUIDE FRONT	곡봉실걸이	1	
A-13	SC-0499-1230		SCREW(11/64" N=40)	곡봉실걸이나사(4515)	1	
A-14	44-008A-3400		UPPER THREAD OIL FELT CASE	윗실급유헬트잡이	1	
A-15	SC-0120-1230		SCREW (9/64" N=40)	오일펌프커버나사(2118)	1	
A-16	44-009M-3400		UPPER THREAD OIL FELT	윗실급유헬트	1	
A-17	01-027A-1230		THREAD GUIDE WITH THREE HOLES ASS'Y	세구멍실걸이 (조) K	1	
A-17-1	01-015A-1230		THREAD GUIDE WITH THREE HOLES	세구멍실걸이	1	
A-17-2	01-027C-1230		NUT FOR A-17	세구멍실걸이너트	1	
A-18	GP-007936-00		TOP COVER	윗뚜껑	1	
A-19	SC-0498-3710		SCREW(11/64" N=40)	가마잡이나사(4122)	6	
A-20	GP-007944-00		TOP COVER GASKET	윗뚜껑가스켓	1	
A-21	01-116A-2350		GUIDE BAR FOR THREAD	실안내봉	1	
A-22	01-027C-1230		NUT FOR A-21	세구멍실걸이너트	1	
A-23	GP-007667-00		BACK COVER	뒷뚜껑	1	
A-24	GP-007668-00		BACK COVER GASKET	뒷뚜껑가스켓	1	
A-25	SC-A156-4118		SCREW(9/64" N=40)	흡블이 냄비 작은나사	8	
A-26	01-110R-1230		RUBBER PLUG FOR A-1	면판고무마개 (중) 흰색 (3)	3	
A-27	01-012R-1230		RUBBER PLUG FOR A-1	면판고무마개(소)흰색(5)	2	
A-28	GP-008069-00		MODEL MARK	모델마크	1	
A-29	01-035P-1370		MACHINE NUMBER PLATE	번호판	1	
A-30	01-035P-7400		SETTING PIN FOR A-29	번호판핀	2	
A-31	01-434A-1230		SLIDE PLATE ASS'Y	미끄럼판(조)	1	
A-32	01-212A-3400		NEEDLE PLATE	바늘판	1	
A-33	SC-A119-4119		SCREW(11/64" N=40)	흡블이 접시 작은나사	3	
A-34	01-044A-257A		HOLDER FOR ATTACHMENT	게이지부착판	1	
A-35	GP-007665-00		BED SUPPORT A	베드받침A	2	
A-36	GP-007666-00		BED SUPPORT B	베드받침B	2	
A-37	GP-007672-01		ARM BACK SIDE COVER A	암후면커버A	1	
A-38	GP-007707-00		ARM BACK SIDE COVER B	암후면커버B	1	
A-39	SC-A170-4124		SCREW(9/64" N=40)	흡블이 바인딩 작은나사	5	
A-40	WS-000077-00		WASHER	실리콘급유탱크와셔	1	
A-41	01-035P-7400		PIN	모델마크핀	2	
A-42	01-043R-640L		UPPER FEED DRIVING SHAFT (LARGE) RUBBER CAP	노루발수평운동축고무마개	1	
A-43	GP-015033-00		ARM BACK SIDE COVER A-GASKET	후면커버A 가스켓	1	

B

Upper Shaft & Needle Bar & Upright Shaft & Lower Shaft Mechanism

상축, 바늘대 및 입축, 하축 관계



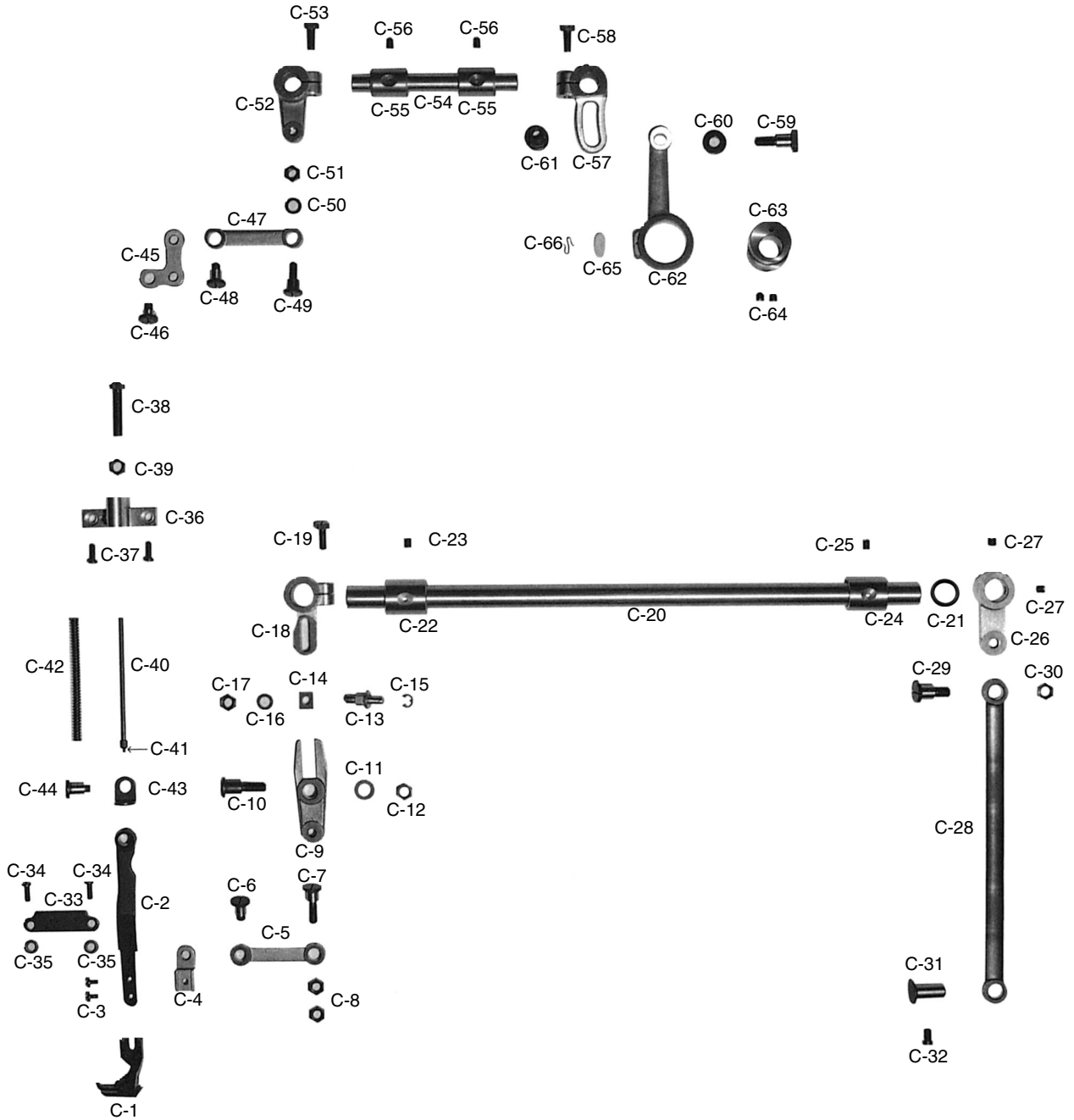


Ref. No.	Parts No.	Note	Name of Parts	품명	Q'ty	Assembly No.
B-1	GP-007717-00		MAIN SHAFT	상축	1	
B-2	02-115C-2500		OIL ADJUSTING PIN FOR B-1	상축유량조절핀	1	
B-3	02-016R-1230		O-RING FOR B-2	상축유량조절핀 O-링	1	
B-4	02-020M-1230		UPPER SHAFT FELT	상축펠트	1	
B-5	02-118W-1230		UPPER SHAFT URETHAN WASHER	상축우레탄와셔	1	
B-6	GP-007648-00		MAIN SHAFT BUSHING(FRONT)	상축전부싱	1	
B-7	02-010M-3400		OIL FELT FOR B-6	상축앞부싱펠트	1	
B-8	SC-0507-1230		SCREW(15/64" N=28)	상축부싱고정나사(4515)	1	
B-9	02-121A-1230		MAIN SHAFT COLLAR	메스작동캠카라	1	
B-10	SC-0504-1230		SCREW(1/4" N=40)	실채기핀고정나사(4515)	2	
B-11	02-104A-3400		MAIN SHAFT BUSHING (CENTER)	상축중부싱	1	
B-12	SC-0507-1230		SCREW(15/64" N=28)	상축부싱고정나사(4515)	1	
B-13	02-211A-1230		MAIN SHAFT GEAR	상축기어(국산)	1	
B-14	02-014A-640L		SCREW(1/4" N=40)	흡블이멈춤나사	2	
B-15	GP-007649-00		MAIN SHAFT BUSHING (REAR)	상축후부싱	1	
B-16	02-028C-1230		OIL SEAL FOR B-15	상축후부싱오일셀	1	
B-17	SC-0507-1230		SCREW(15/64" N=28)	상축부싱고정나사(4515)	1	
B-18	02-006A-3400		PULLEY	폴리(도장품)	1	
B-19	SC-0150-2500		SCREW(15/64" N=28)	폴리고정나사(4122)	2	
B-20	SC-0188-1230		SCREW (5/16" N=24)	폴리큰나사(4124)	1	
B-21	GP-007718-00		COUNTER WEIGHT	링크캠	1	
B-22	SC-0123-1230		SCREW(9/32" N=28)	링크캠위치고정나사(4422)	1	
B-23	SC-0124-4522		SCREW(9/32" N=28)	흡블이납작작은나사	1	
B-24	SC-A129-4515		SCREW(1/4" N=40)	흡블이멈춤나사(SC15)	2	
B-25	AS-002103-00		THREAD TAKE UP LEVER ASS'Y	실채기(조)	1	
B-25-1	08-501A-3400		THREAD TAKE UP LEVER	실채기	1	
B-25-2	GP-007716-00		NEEDLE BAR CRANK	바늘대크랭크	1	
B-25-3	08-503A-146L		THREAD TAKE UP LEVER CRANK	실채기크랭크	1	
B-25-4	08-504A-3400		NEEDLE BAR CRANK ROD	바늘대크랭크로드	1	
B-25-5	08-505A-257U		NEEDLE BAR HOLDER	바늘대잡이	1	
B-25-6	08-506P-3400		THREAD TAKE UP LEVER HINGE PIN	실채기힌지핀	1	
B-25-7	08-507S-3400		NEEDLE BAR CRANK SCREW(LEFT)	바늘대크랭크원나사	1	
B-25-8	08-508S-123A		NEEDLE BAR HOLDER SCREW	바늘대잡이나사	1	
B-26	SC-0507-1230		SCREW(15/64" N=28)	상축부싱고정나사(4515)	1	
B-27	04-006A-1230		SLIDING BLOCK FOR B-25	바늘대안내블럭	1	
B-28	04-101A-3400		NEEDLE BAR	바늘대	1	
B-29	04-108A-1230		NEEDLE BAR UPPER BUSHING	바늘대상부싱(C)	1	
B-30	SC-0113-3400		SCREW(11/64" N=40)	바늘대부싱나사(4515)	1	
B-31	04-104R-1230		RUBBER CAP FOR B-29	바늘대상부싱마개(흰색)	1	
B-32	04-109A-123B		NEEDLE BAR LOWER BUSHING	바늘대하부싱(C)	1	
B-33	SC-0113-3400		SCREW(11/64" N=40)	바늘대부싱나사(4515)	1	
B-34	04-002C-640L		THREAD GUIDE	바늘대실걸이	1	
B-35	SC-A131-4522		SCREW(1/8" N=44)	흡블이납작작은나사(SC22)	1	
B-36	-		NEEDLE	바늘	1	
B-37	GP-007650-00		UPRIGHT SHAFT	입축	1	
B-38	GP-007651-00		UPRIGHT SHAFT BUSHING(UPPER)	입축상부싱	1	
B-39	GP-007652-00		UPRIGHT SHAFT BUSHING(LOWER)	입축하부싱	1	
B-40	02-212A-1230		UPRIGHT SHAFT GEAR(UPPER)	입축상기어(국산)	1	
B-41	SC-A129-4515		SCREW(1/4" N=40)	흡블이멈춤나사(SC15)	2	
B-42	SC-0114-1230		SCREW (15/64" N=28)	피이드캠고정나사(만금) (4515)	1	
B-43	SC-0114-1230		SCREW (15/64" N=28)	피이드캠고정나사(만금) (4515)	1	
B-44	02-213A-1230		UPRIGHT SHAFT GEAR(LOWER)	입축하기어(국산)	1	
B-45	SC-A129-4515		SCREW(1/4" N=40)	흡블이멈춤나사(SC15)	2	
B-46	GP-007640-00		LOWER SHAFT	하축	1	
B-47	07-005M-1230		LOWER SHAFT FELT	하축펠트	1	
B-48	07-004S-1230		CAP SCREW FOR LOWER SHAFT OIL FELT	하축오일펠트꽃이나사	1	
B-49	02-214A-1230		LOWER SHAFT GEAR (REAR)	하축뒷기어(국산)	1	
B-50	SC-A129-4515		SCREW(1/4" N=40)	흡블이멈춤나사(SC15)	2	
B-51	GP-007644-00		LOWER SHAFT BUSHING(REAR)	하축후부싱	1	
B-52	SC-0114-1230		SCREW (15/64" N=28)	피이드캠고정나사(만금) (4515)	1	
B-53	44-025A-1230		LOWER SHAFT COLLAR	오일펌프카라(B) 7.94×17×8	1	
B-54	SC-0104-5607		SCREW(11/64" N=40)	하축중베어링부싱나사(4517)	2	
B-55	GP-007642-00		LOWER SHAFT BUSHING(CENTER)	하축중부싱	1	
B-56	GP-007641-00		LOWER SHAFT BUSHING(FRONT)	하축전부싱	1	
B-57	SC-0361-1230		SCREW(3/16" N=32)	하축오일조절나사	1	
B-58	07-015G-1230		SPRING FOR C-57	혹급유조절나사스프링	1	
B-59	SC-0114-1230		SCREW (15/64" N=28)	피이드캠고정나사(만금) (4515)	1	
B-60	07-007A-146L		ROTARY HOOK	가마HSM-B(ISU)	1	
B-61	07-225A-64L7		BOBBIN	보빈	1	
B-62	07-106A-146L		BOBBIN CASE ASS'Y	보빈케이스	1	
B-63	07-013A-1230		HOOK RETAINER	가마잡이	1	
B-64	07-011W-1230		SPRING WASHER FOR C-65	가마잡이와셔	1	
B-65	SC-0174-1230		SCREW (11/64" N=40)	가마잡이나사(국산) (4122)	1	



Presser Foot & Upper Feed Mechanism

노루발 및 상피이드 관계

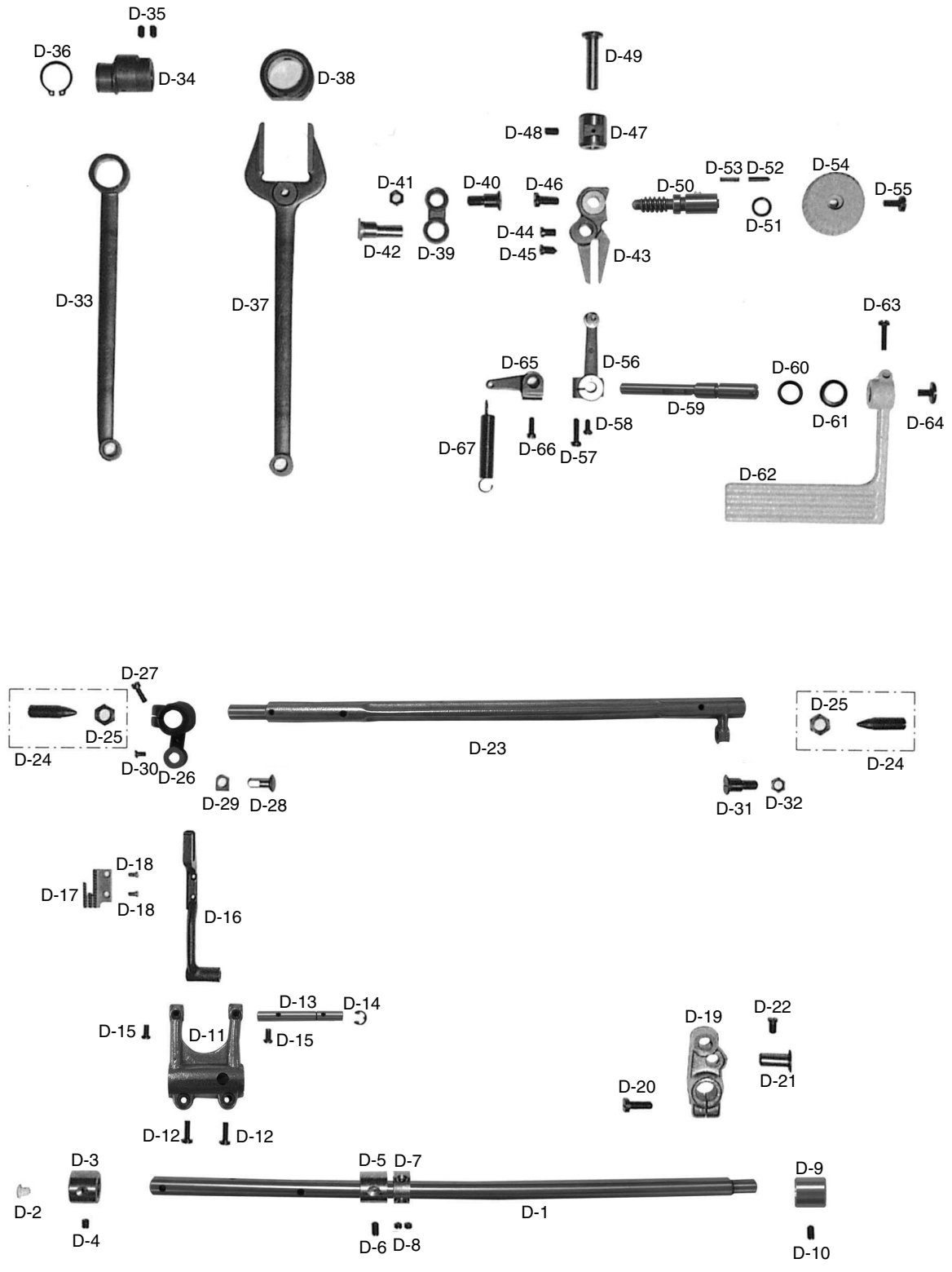




Ref. No.	Parts No.	Note	Name of Parts	품명	Q'ty	Assembly No.
C-1	05-020A-3400		MAIN PRESSER FOOT ASSEMBLY	주노루발	1	
C-2	15-131A-3400		UPPER FEED LEVER	노루발운동레버(C)	1	
C-3	SC-0365-3710		SCREW(9/64" N=40)	면판측면커버나사(하)(4118)	2	
C-4	15-129A-3400		UPPER FEED LEVER HOLDER	노루발운동레버잡이(C)	1	
C-5	15-107A-3400		UPPER FEED DRIVING ROD(49MM)	수평운동롯드49MM(C)	1	
C-6	15-028S-3400		HINGE SCREW FOR D-5	노루발운동레버링크단나사	1	
C-7	15-008S-3400		HINGE SCREW FOR D-5	수평운동롯드단나사	1	
C-8	SN-0105-3400		NUT (15/64" N=28)	수평운동롯드단나사너트(4000)	2	
C-9	15-134A-3400		UPPER FEED ADJUSTING LINK	노루발수평운동링크	1	
C-10	15-006S-3400		HINGE SCREW FOR D-9	수평운동링크단나사	1	
C-11	06-021W-7400		WASHER FOR D-10	역진레버와셔	1	
C-12	SN-0107-1230		NUT (9/32" N=28)	피이드조절기연결나사너트(4000)	1	
C-13	15-001A-3400		CONNECTING STUD SHAFT	수평운동조절축	1	
C-14	15-103A-3400		BLOCK	노루발수평운동축블럭(C)	1	
C-15	05-014C-1230		STOP RING FOR D-13(φ4)	인상판E링	1	
C-16	06-051W-7400		WASHER FOR D-13	포크젹나사와셔	1	
C-17	SN-0116-3400		NUT (1/4" N=40)	수평운동조절축너트(4000)	1	
C-18	15-104A-3400		UPPER FEED ADJUSTING CRANK	수평운동조절크랭크(C)	1	
C-19	15-005S-3400		SCREW(15/64" N=28)	수평운동조절크랭크젹나사	1	
C-20	GP-009487-00		UPPER FEED DRIVING SHAFT (LARGE)	노루발수평운동축	1	
C-21	10-042C-2700		O-ring	노루발대수평운동축 O-Ring	1	
C-22	15-012A-3400		BUSHING FOR D-20(FRONT)	수평운동축앞B/S(14.72×23×27)	1	
C-23	SC-0114-1230		SCREW (15/64" N=28)	피이드캠고정나사(만금)(4515)	1	
C-24	15-054A-640L		REAR BUSHING	수평운동축후부싱(C)	1	
C-25	SC-0114-1230		SCREW (15/64" N=28)	피이드캠고정나사(만금)(4515)	1	
C-26	15-110A-3400		REAR CRANK	노루발수평운동축크랭크후(C)	1	
C-27	SC-A129-4515		SCREW(1/4" N=40)	흡블이멈춤나사(SC15)	2	
C-28	15-114A-3400		UPPER FEED DRIVING SHAFT ROD	노루발수평운동축롯드(C)	1	
C-29	15-015S-3400		HINGE SCREW FOR D-28	노루발수평운동축롯드단나사	1	
C-30	SN-0107-1230		NUT (9/32" N=28)	피이드조절기연결나사너트(4000)	1	
C-31	06-017P-3400		CONNECTION PIN FOR D-28	와이롯드연결핀	1	
C-32	SC-0122-1230		SCREW (15/64" N=28)	톱니받침축고정나사(4522)	1	
C-33	15-032C-3400		UPPER FEED LEVER SUPPORT PLATE	노루발운동레버지지판	1	
C-34	SC-0179-3710		SCREW (11/64" N=40)	윗뚜껑젹나사(4125)	2	
C-35	15-033C-3400		SUPPORT RING FOR D-33	노루발운동레버지지판링	2	
C-36	05-005A-3400		FRAME FOR D-41	노루발압력조절나사후레임	1	
C-37	SC-0179-3710		SCREW (11/64" N=40)	윗뚜껑젹나사(4125)	2	
C-38	SC-0318-3400		SCREW(9/32" N=40)	보조압력조절나사(4122)	1	
C-39	SN-0107-1230		NUT (9/32" N=28)	피이드조절기연결나사너트(4000)	1	
C-40	05-008C-3400		SUB-PRESSURE ADJUSTING POLE	보조노루발압력조절봉	1	
C-41	05-009C-3400		SUPPORT PLATE FOR D-36	보조노루발압력조절스프링받침	1	
C-42	05-007G-3400		SPRING FOR D-36	보조압력조절스프링	1	
C-43	05-010C-3400		SUPPORT PLATE FOR D-36	보조노루발압력봉받침	1	
C-44	15-030S-3400		HINGE SCREW FOR D-2	노루발운동레버단나사	1	
C-45	15-027A-3400		L-SHAPED LINK	노루발운동레버링크	1	
C-46	05-017S-3400		HINGE SCREW FOR D-8	누름대올리기브라켓연결단나사	1	
C-47	15-122A-3400		UPPER FEED DRIVING ROD 51MM	노루발상하운동롯드51MM(C)	1	
C-48	15-028S-3400		HINGE SCREW FOR D-47	노루발운동레버링크단나사	1	
C-49	15-021S-3400		HINGE SCREW FOR D-52	노루발상하운동축크랭크단나사	1	
C-50	06-051W-7400		WASHER FOR D-49	포크젹나사와셔	1	
C-51	SN-0105-3400		NUT (15/64" N=28)	수평운동롯드단나사너트(4000)	1	
C-52	15-120A-3400		FRONT CRANK	노루발상하운동축크랭크전(C)	1	
C-53	15-005S-3400		SCREW(15/64" N=28)	수평운동조절크랭크젹나사	1	
C-54	15-118A-3400		UPPER FEED DRIVING SHAFT (SMALL)	노루발상하운동축	1	
C-55	15-019A-3400		BUSHING FOR D-54	노루발상하운동축부싱	2	
C-56	SC-0114-1230		SCREW (15/64" N=28)	피이드캠고정나사(만금)(4515)	2	
C-57	15-123A-3400		UPPER FEED ADJUSTING CRANK	노루발상하운동조절크랭크(C)	1	
C-58	15-005S-3400		SCREW(15/64" N=28)	수평운동조절크랭크젹나사	1	
C-59	15-024A-3400		UPPER FEED ADJUSTING SHAFT	노루발상하운동조절축	1	
C-60	15-026W-3400		WASHER FOR D-59	노루발상하운동조절축와셔	1	
C-61	15-025C-3400		NUT FOR D-59	노루발상하운동조절너트	1	
C-62	GP-009630-00		CONNECTING ROD	노루발상하운동캠롯드(C)	1	
C-63	GP-009631-00		FEED DRIVING ECCENTRIC CAM	노루발상하운동캠	1	
C-64	SC-A129-4515		SCREW(1/4" N=40)	흡블이멈춤나사(SC15)	2	
C-65	44-023M-3400		OIL FELT	노루발상하운동캠롯드유심휠트	1	
C-66	44-015C-3400		OIL FELT HOLDER	상하운동캠롯드유심잡이	1	

D

Lower Feed Mechanism 하피이드관계

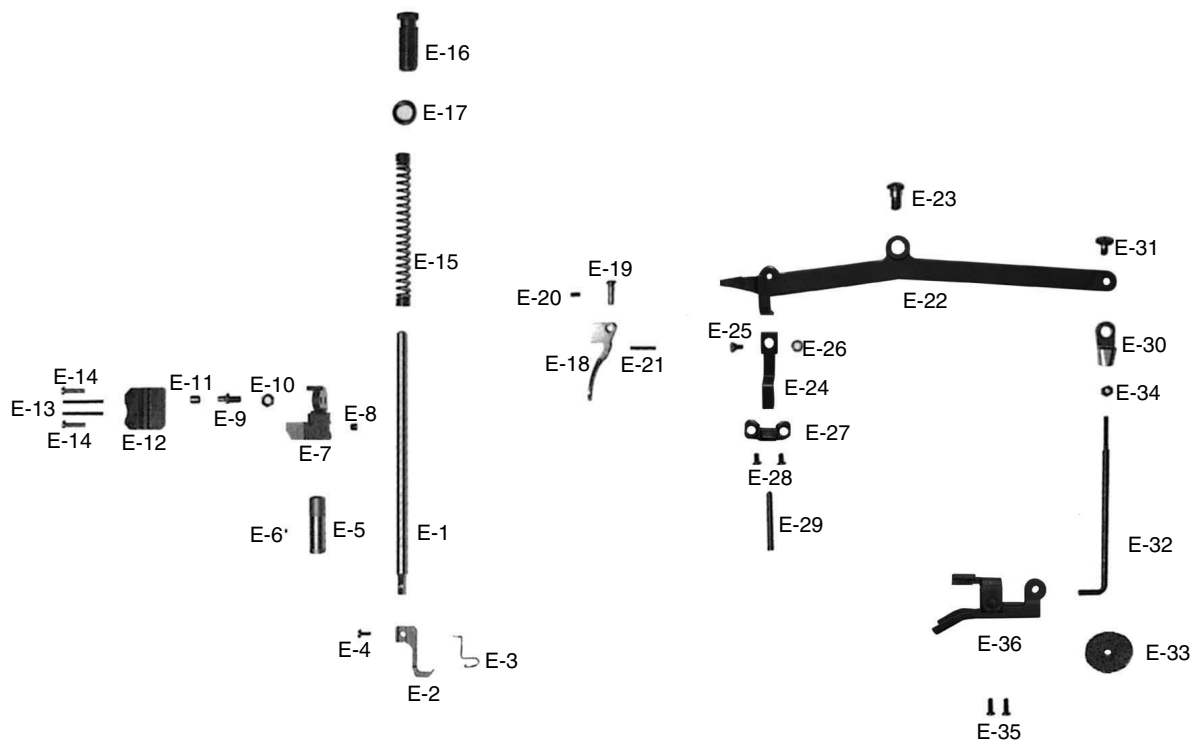




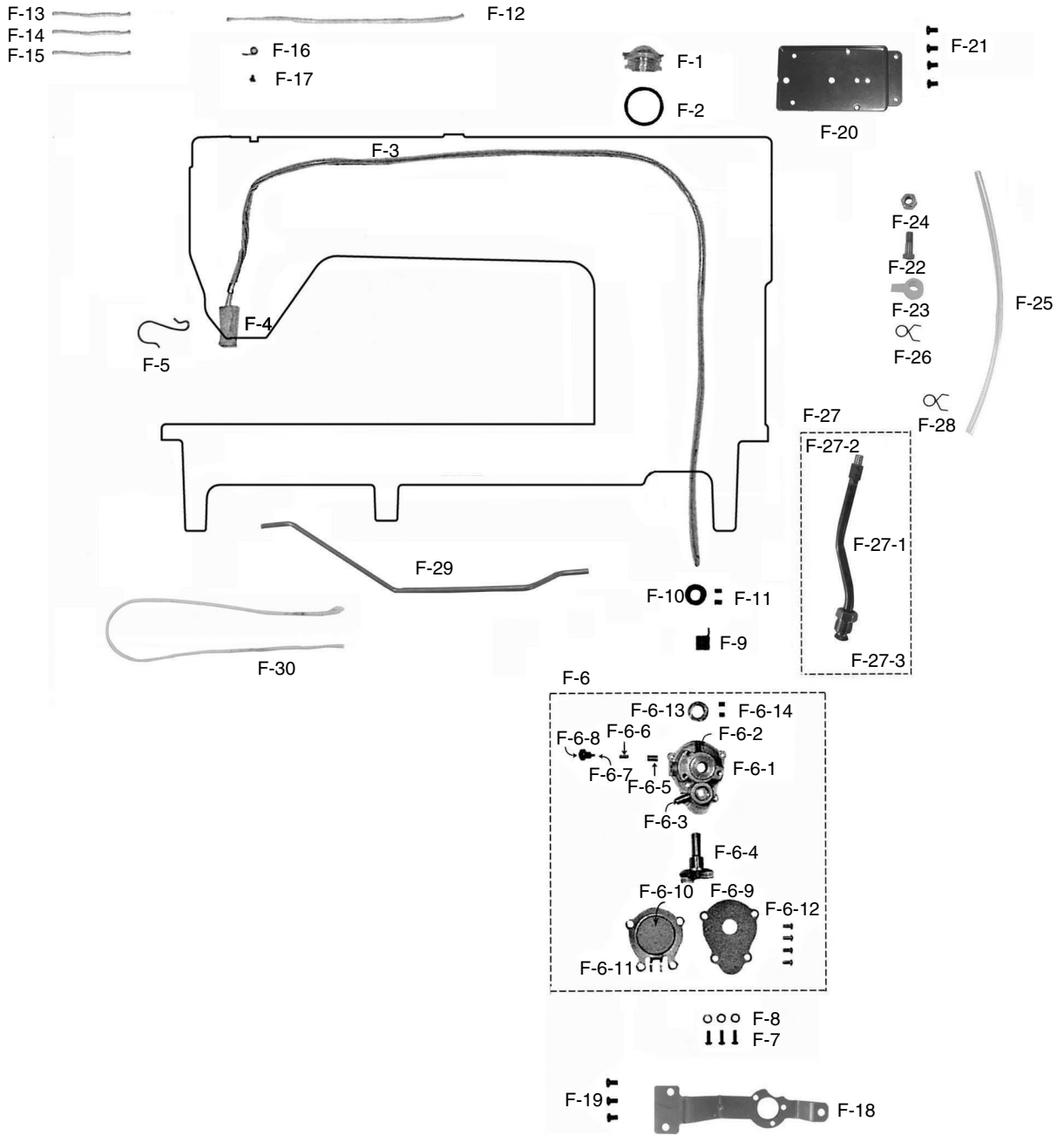
Ref. No.	Parts No.	Note	Name of Parts	품명	Q'ty	Assembly No.
D-1	GP-007653-00		FEED ROCKER SHAFT	수평밀대	1	
D-2	01-037R-1230		FEED ROCKER SHAFT RUBBER CAP	수평밀대 고무마개	1	
D-3	06-119A-3400		FEED ROCKER SHAFT FRONT BUSHING	수평밀대 앞부싱(C)	1	
D-4	SC-0114-1230		SCREW (15/64" N = 28)	피이드캠 고정나사(만금) (4515)	1	
D-5	06-020A-3400		BUSHING FOR E-1(CENTER)	수평밀대중B/S 14.72×22.5×20	1	
D-6	SC-0507-1230		SCREW(15/64" N = 28)	상축부싱 고정나사(4515)	1	
D-7	02-113A-3710		THRUST COLLAR	상축카라(14.72×22×8.5)(C)	1	
D-8	SC-A129-4515		SCREW(1/4" N = 40)	흡볼이 멈춤나사(SC15)	2	
D-9	GP-007654-00		BUSHING FOR E-1(REAR)	수평밀대 후부싱	1	
D-10	SC-0507-1230		SCREW(15/64" N = 28)	상축부싱 고정나사(4515)	1	
D-11	GP-007655-00		FEED ROCKER ASS'Y	톱니받침 크랭크	1	
D-12	06-023S-3400		SCREW(3/16" N = 28)	톱니받침 크랭크 나사	1	
D-13	GP-007656-00		FEED BAR SHAFT	톱니받침축	1	
D-14	04-009C-3710		E-RING (φ 5)	이링	1	
D-15	SC-0175-1230		SCREW (11/64" N = 40)	와이롯드 보강판나사(4522)	2	
D-16	06-125A-3400		FEED BAR	톱니받침(C)	1	
D-17	06-007A-123B		FEED DOG	톱니A-132(P=2.1)	1	
D-18	SC-0130-1230		SCREW(1/8" N = 44)	톱니줄나사(4122)	2	
D-19	06-116A-3400		FEED ROCKER SHAFT CRANK	수평밀대 크랭크(C)	1	
D-20	SC-0253-7400		SCREW (1/4" N = 24.L = 17)	요동크랭크 줄나사(4118)	1	
D-21	06-017P-3400		CONNECTING PIN FOR E-37	와이롯드 연결핀	1	
D-22	SC-0122-1230		SCREW (15/64" N = 28)	톱니받침축 고정나사(4522)	1	
D-23	GP-007694-00		FEED LIFTING SHAFT	들대	1	
D-24	SC-0360-3400		SCREW(3/8" N = 28)	들대 지지나사	2	
D-25	06-030C-3400		NUT FOR D-23	들대 지지나사 고정 너트	2	
D-26	GP-007659-00		FEE LIFTING SHAFT FRONT CRANK	들대 크랭크(전)(C)	1	
D-27	SC-0497-1230		SCREW(3/16" N = 28)	들대(전) 고정나사(4122)	1	
D-28	06-026A-3400		SLIDE BLOCK FOR E-16	톱니받침블럭축	1	
D-29	06-127A-3400		SLIDING BLOCK	톱니받침블럭(C)	1	
D-30	SC-0128-7400		SCREW(11/64" N = 40)	인봉카라 줄나사 4-15 (4118)	1	
D-31	06-032A-1230		CONNECTION SCREW FOR E-33	피이드조절기 연결단나사	1	
D-32	SN-0107-1230		NUT (9/32" N = 28)	피이드조절기 연결나사너트(4000)	1	
D-33	06-154A-1230		CRANK ROD	크랭크로드(C)	1	
D-34	06-001A-3400		FEED CAM	피이드캠	1	
D-35	SC-0509-1230		SCREW(15/64" N = 28)	피이드캠 고정나사(4515)	1	
D-36	06-007C-1600		STOPPER C-RING	크랭크로트드 스톱퍼링(2 0 D)	1	
D-37	06-103A-3400		Y-ROD	와이롯드	1	
D-38	06-102A-3400		CONNECTION RING FOR Y-ROD	와이롯드 연결링(C)	1	
D-39	06-104A-3400		FEED LINK	피이드링크(C)	1	
D-40	06-032A-1230		CONNECTION SCREW FOR E-43	피이드조절기 연결단나사	1	
D-41	SN-0107-1230		NUT (9/32" N = 28)	피이드조절기 연결나사너트(4000)	1	
D-42	06-005A-3400		CONNECTION SHAFT FOR E-43	피이드링크 연결축	1	
D-43	06-108A-3400		FEED REGULATOR	피이드조절기	1	
D-44	SC-0122-1230		SCREW (15/64" N = 28)	톱니받침축 고정나사(4522)	1	
D-45	SC-0330-7400		SCREW(15/64" N = 28)	역진레버 크랭크 줄나사(4422)	1	
D-46	SC-0183-2700		SCREW(15/64" N = 28)	베이스 고정나사B (4122)	1	
D-47	06-110A-3400		BUSHING	피이드조절축부싱(C)	1	
D-48	SC-0507-1230		SCREW(15/64" N = 28)	상축부싱 고정나사(4515)	1	
D-49	06-109A-3400		FEED REGULATOR SHAFT	피이드조절축(C)	1	
D-50	GP-007776-00		STITCH LENGTH ADJUSTING SCREW	피이드조절다이얼축	1	
D-51	06-010R-1230		O-RING FOR E-50	다이얼축오링	1	
D-52	06-026P-1230		FEED REGULATOR DIAL PIN	다이얼핀	1	
D-53	06-027G-1230		FEED REGULATOR DIAL SPRING	다이얼스프링	1	
D-54	06-007C-3400		STITCH LENGTH ADJUSTING DIAL	다이얼문자지시판	1	
D-55	SC-0193-1230		SCREW(3/16" N = 28)	다이얼판 고정나사(4122)	1	
D-56	06-060A-3400		FEED REGULATOR ARM	역진레버 크랭크(조)	1	
D-57	SC-0184-1600		SCREW(3/16" N = 28)	수평밀대 크랭크 줄나사(4118)	1	
D-58	SC-0174-1230		SCREW (11/64" N = 40)	가마잡이 나사(국산) (4122)	1	
D-59	GP-008101-00		FEED LEVER SHAFT	역진레버축	1	
D-60	06-042R-1230		FEED LEVER SHAFT O-RING	역진레버축 O-링	1	
D-61	06-053W-1230		CORRUGATED WASHER FOR E-59	레버와셔	1	
D-62	06-050A-1230		REVERSE FEED CONTROL LEVER	역진레버(도장품)	1	
D-63	SC-0186-1230		SCREW (3/16" N = 32)	역진레버 고정나사(4118)	1	
D-64	SC-0185-1230		SCREW (3/16" N = 32)	레버덜개나사(4124)	1	
D-65	06-114C-3400		TENSION SPRING SUSPENSION PLATE	역진레버축스프링걸이	1	
D-66	SC-0497-1230		SCREW(3/16" N = 28)	들대 크랭크(전) 고정나사(4122)	1	
D-67	06-024G-1230		SPRING FOR E-62	레버스프링	1	

Presser Bar & Knee Lifting Mechanism

누름대 및 무릎올림관계



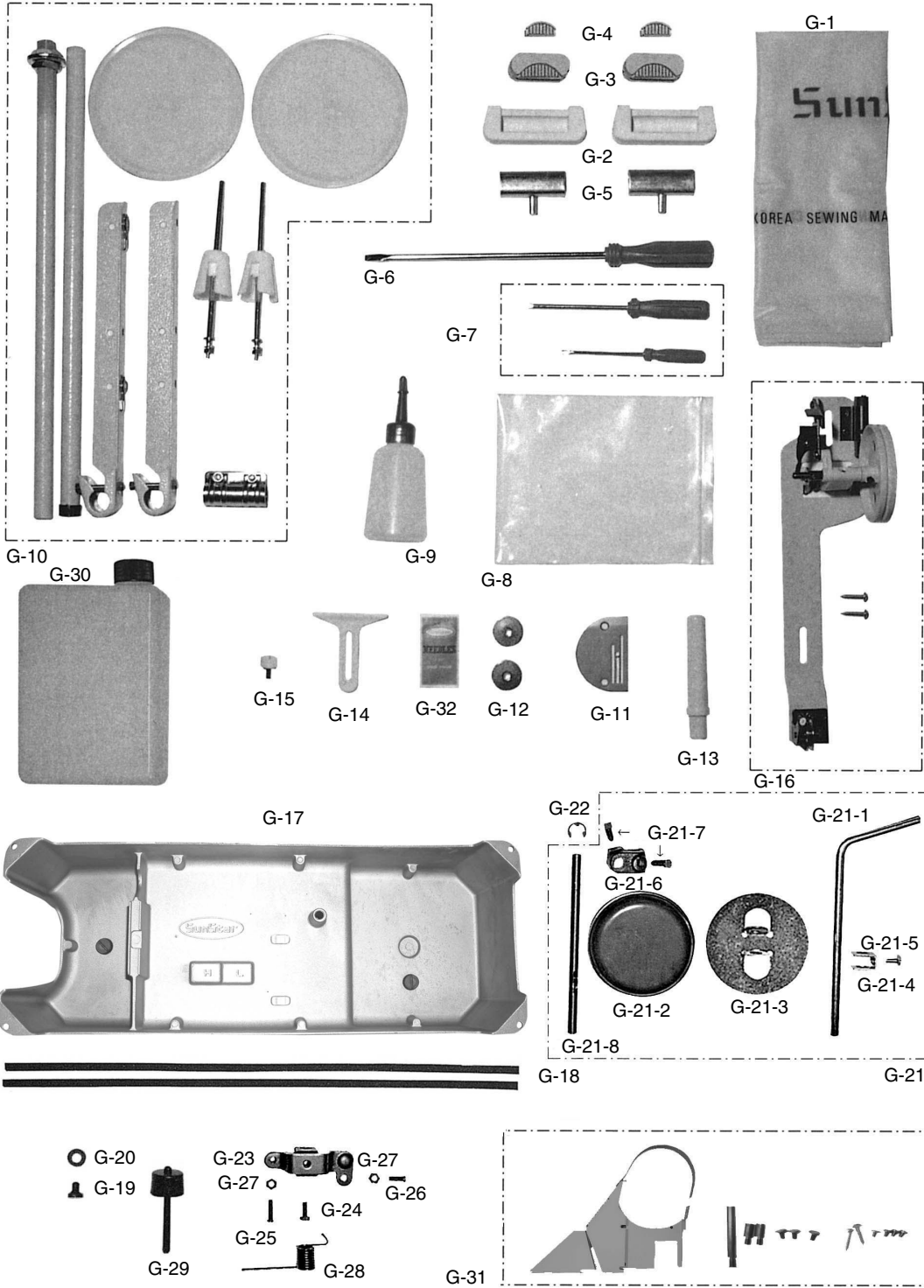
Ref. No.	Parts No.	Note	Name of Parts	품명	Q'ty	Assembly No.
E-1	05-101A-3400		PRESSER BAR	누름대(C)	1	
E-2	05-021A-3400		SUB-PRESSER FOOT	보조노루발	1	
E-3	05-019M-3400		NEEDLE SAFETY WIRE	바늘보호와이어	1	
E-4	SC-A156-4118		SCREW(11/64" N = 40)	홈붙이냄비작은나사(SC18)	1	
E-5	05-111A-1230		PRESSER BAR BUSHING	누름대붓싱©	1	
E-6	SC-0113-3400		SCREW(11/64" N = 40)	바늘대붓싱나사(4515)	1	
E-7	05-011A-3400		BRACKET FOR PRESSER BAR LIFTER	누름대올리기브라켓(K3463)	1	
E-8	SC-A129-4515		SCREW(1/4" N = 40)	홈붙이멈춤나사(SC15)	1	
E-9	05-013A-3400		GUIDE SHAFT FOR F-8	누름대올리기브라켓안내축	1	
E-10	SN-0116-8270		NUT (1/4" N = 40)	슬라이드블럭나사너트(4000)	1	
E-11	05-012A-3400		ROLLER FOR F-8	누름대올리기브라켓로올러	1	
E-12	05-115A-3400		GUIDE SHAFT FOR F-8	누름대올리기브라켓안내	1	
E-13	05-016P-3400		LOCK PIN FOR F-13	브라켓안내로크핀 3 × 3 2	2	
E-14	SC-0178-7400		SCREW(11/64" N = 40)	윗뚜껑칩나사(좌)(4118)	2	
E-15	05-004A-3800		PRESSER SPRING	압력조절스프링	1	
E-16	SC-0367-3400		SCREW(9/16" N = 20)	압력조절나사(4322)	1	
E-17	SN-0100-3400		NUT (9/16" N = 20)	압력조절나사너트(4000)	1	
E-18	05-006A-7400		PRESSER BAR LIFTER	누름대올리기	1	
E-19	05-018P-3400		HINGE PIN FOR F-19	누름대올리기핀	1	
E-20	SC-0499-1230		SCREW(11/64" N = 40)	곡봉실결이나사(4515)	1	
E-21	05-022C-3400		STOPPER FOR F-19	누름대올리기스토퍼3×20	1	
E-22	AS-001943-00		KNEE LIFTING LEVER ASS'Y	무릎올림레버(조)	1	
E-22-1	GP-007700-00		KNEE LIFTING LEVER	무릎올림레버	1	
E-22-2	GP-007677-00		KNEE LIFTING LEVER BUSHING	무릎올림레버붓싱	1	
E-23	43-001S-3400		HINGE SCREW FOR F-23	무릎올림레버단나사	1	
E-24	GP-007675-00		TENSION RELEASE PLATE	실늑추기판	1	
E-25	16-015S-3710		HINGE SCREW FOR F-25	연결링크단나사	1	
E-26	15-033C-3400		SUPPORT RING FOR F-25	노루발운동레버지지판링	1	
E-27	GP-009485-00		TENSION RELEASE PLATE COVER	실늑추기판커버	1	
E-28	SC-0543-2302		SCREW(11/64" N = 40)	톱커버힌지고정나사(4525)	2	
E-29	40-001C-3400		TENSION RELEASE PIN	실늑추기핀	1	
E-30	43-003A-3400		CONNECTION HOLDER	무릎올림봉잡이	1	
E-31	GP-009484-00		HINGE SCREW FOR F-31	무릎올림봉단나사	1	
E-32	43-102A-3400		KNEE LIFTER PULL ROD	무릎올림봉	1	
E-33	43-011M-1230		FELT WASHER FOR F-33	무릎올림봉헬트	1	
E-34	SN-0119-1230		NUT (3/16" N = 28)	제어체운동나사너트(4000)	1	
E-35	SC-0179-3710		SCREW (11/64" N = 40)	윗뚜껑칩나사(4125)	2	
E-36	AS-002106-00		KNEE LIFTING LINK ASS'Y	무릎올림링크(조)	1	
E-36-1	GP-008221-00		KNEE LIFTING LINK STOPPER	무릎올림링크받침	1	
E-36-2	GP-007702-00		KNEE LIFTING LINK	무릎올림링크	1	
E-36-3	PN-000140-00		KNEE LIFTING LINK ADJUST PIN	무릎올림링크조정핀	1	



Ref. No.	Parts No.	Note	Name of Parts	품명	Q'ty	Assembly No.
F-1	44-001C-2500		OIL GAUGE WINDOW	유창	1	
F-2	44-002R-2500		O-RING FOR G-1	O-링	1	
F-3	44-012C-1230		OIL RETURN TUBE(φ3)	환류파이프	1	
F-4	44-046M-3500		OIL RETURN FELTER	환류펠트	1	
F-5	44-017C-1230		OIL RETURN FELTER HOLDER	환류펠트잡이	1	
F-6	44-150A-640L		OIL PUMP ASS'Y	오일펌프(조)	1Set	
F-6-1	44-012A-2350		OIL PUMP BODY	오일펌프몸체	1	
F-6-2	44-010C-1600		NIPPLE FOR OIL RETURN TUBE	환류호스니플	1	
F-6-3	44-009C-1600		NIPPLE FOR LOWER SHAFT OIL SUPPLY	하측급유니플	1	
F-6-4	44-026A-1230		IMPELLER	임펠러	1	
F-6-5	44-117A-1230		PISTON	피스톤	1	
F-6-6	44-118G-1230		PISTON SPRING	피스톤스프링	1	
F-6-7	44-120P-1230		PISTON SPRING PIN	피스톤스프링핀	1	
F-6-8	44-119S-1230		PISTON SPRING PIN SCREW	피스톤스프링핀나사	1	
F-6-9	44-104C-2350		OIL PUMP COVER	오일펌프커버	1	
F-6-10	44-024C-1230		OIL PUMP CAP	오일펌프캡	1	
F-6-11	44-105C-2350		MAGNETIC HOLDER	자석잡이	1	
F-6-12	SC-120S-1230		SCREW(9/64" N=40)	오일펌프커버나사	4	
F-6-13	44-119A-1230		COLLAR FOR IMPELLER SHAFT	오일펌프카라	1	
F-6-14	SC-0512-1230		SCREW(11/64" N=40)	오일펌프조인트나사	2	
F-7	SC-0528-1230		SCREW(9/64" N=40)	톱커버나사(우)	3	
F-8	44-011W-1600		OIL PUMP BODY WASHER	오일펌프몸체와셔	3	
F-9	44-016G-1230		OIL PUMP CONNECTING SPRING	오일펌프연결스프링	1	
F-10	44-115A-1230		OIL PUMP CONNECTING COLLAR	오일펌프조인트카라	1	
F-11	SC-0542-1230		SCREW(11/64" N=40)	실닛추기 고정나사	2	
F-12	44-012C-1230		OIL RETURN TUBE(φ3)	실채기급유파이프	1	
F-13	44-0000-1230		OIL WICK	실채기급유유심	1	
F-14	44-0000-1230		OIL WICK	노루발운동링크급유유심	1	
F-15	44-0000-1231		OIL WICK	바늘대급유유심	1	
F-16	44-026G-7400		OIL WICK HOLDER FOR G-12	펠트잡이스프링	2	
F-17	SC-0365-3710		SCREW(9/64" N=40)	면판측면커버나사(하) (4118)	1	
F-18	GP-007669-00		OIL PUMP BRAKET	오일펌프브라켓	1	
F-19	SC-0173-4118		SCREW(3/16" N=32)	오일펌프브라켓고정나사	3	
F-20	GP-007719-02		OIL RECEIVER BRACKET	오일받이브라켓	1	
F-21	SC-000110-00		SCREW(M4×P0.7)	오일받이브라켓고정나사	4	
F-22	GP-007671-00		UPPER SHAFT OIL NOZZLE	상측급유노즐	1	
F-23	GP-001035-00		OIL HOSE JOINT B	오일호스조인트B	1	
F-24	SN-0102-3800		UPPER SHAFT OIL PIPE NUT	상측오일파이프너트	1	
F-25	44S001S-306H		OIL HOSE(φ5)	오일호스조인트B급유호스	1	
F-26	GP-002026-00		OIL HOSE HOLDER(M)	오일호스잡이(중)	1	
F-27	AS-001947-00		UPPER SHAFT OIL PIPE ASS'Y	상측급유파이프(조)	1Set	
F-27-1	GP-007714-00		UPPER SHAFT OIL PIPE	상측급유파이프	1	
F-27-2	GP-007715-00		UPPER SHAFT OIL PIPE NIPPLE	상측급유파이프니플	1	
F-27-3	SC-000330-00		UPPER SHAFT OIL PIPE SCREW(7/16" N=28)	상측급유파이프고정나사	1	
F-28	GP-002026-00		OIL HOSE HOLDER(M)	오일호스잡이(중)	1	
F-29	GP-007670-00		LOWER SHAFT OIL SUPPLY PIPE	하측급유파이프	1	
F-30	44-0000-1230		OIL WICK	들대급유유심	1	



Accessories
액세서리관계



Ref. No.	Parts No.	Note	Name of Parts	품 명	Q' ty	Assembly No.
G-1	91-106C-2700		SEWING MACHINE COVER	미싱커버(대)	1	
G-2	01-042R-1230		HINGE SHEET RUBBER	힌지고무(대)	2	
G-3	01-241R-1230		RUBBER BASE FOR BED(A)	힌지고무(중)	2	
G-4	01-213R-1230		RUBBER BASE FOR BED(B)	힌지고무(소)	2	
G-5	01-043C-1230		HEAD HINGE	힌지	2	
G-6	91-102C-1230		DRIVER (LARGE)	드라이버(대)	1	
G-7	91-103C-1230		DRIVER (MIDDLE & SMALL)	드라이버(중,소)	1	
G-8	91-001C-1230		ACCESSORY BOX	악세서리박스	1	
G-9	91-011C-1230		OIL TANK	유차	1	
G-10	91-007A-2302		SPOD HOLDER ASSEMBLY	실폐꽃이(조)	1	
G-11	01-212A-3400		NEEDLE PLATE	바늘판	1	
G-12	07-225A-64L7		BOBBIN	보빈	4	
G-13	91-012C-1230		HEAD REST	미싱받침대	1	
G-14	91-104C-1230		ATTACHMENT	정규(STEEL)	1	
G-15	SC-0204-1230		SCREW(9/64" N = 40)	정규쥘나사(4124)	1	
G-16	41-101A-1230		BOBBIN WINDER ASSEMBLY	실감기(조) - 소	1	
G-17	GP-007724-00		OIL PAN	오일팬	1	
G-18	44-003M-1230		OIL PAN GASKET	오일팬가스켓	1	
G-19	SC-0347-1230		SCREW(M8×1.25)	배유구멍마개나사	2	
G-20	44-005R-1230		PACKING FOR H-19	배유구멍마개나사오링	2	
G-21	AS-002107-00		KNEE LIFTER ASS' Y	무릎받침(조)	1Set	
G-21-1	GP-009525-00		KNEE LIFTER SHAFT	무릎받침축	1	
G-21-2	43-101R-1600		KNEE LIFTER PAD	무릎받침고무	1	
G-21-3	43-102C-1600		KNEE LIFTER PAD INSERT PLATE	무릎받침고무삽입판	1	
G-21-4	43-101A-1230		HOLDER FOR H-21-2	무릎받침고무연결링크	1	
G-21-5	43-108S-1230		SET SCREW FOR H-21-4	무릎받침연결링크쥘나사	1	
G-21-6	43-106C-1230		KNEE LIFTER ARM JOINT COMPLETE	무릎받침연결크랭크	1	
G-21-7	SC-0181-1230		SCREW(5/16" N = 18)	무릎받침축고정나사	2	
G-21-8	43-108C-1600		KNEE LIFTING CONTROLLER SHAFT	제어체축	1	
G-22	43-009C-1600		E-RING(φ9)	제어체축링	1	
G-23	43-007A-1600		KNEE LIFTING CONTROLLER	제어체	1	
G-24	SC-0106-7400		SCREW(15/64" N = 28)	포크쥘나사(육각)	1	
G-25	SC-0545-1230		SCREW(15/64" N = 28)	제어체운동조절나사(중)	1	
G-26	SC-0546-1230		SCREW(15/64" N = 28)	제어체운동조절나사(대)	1	
G-27	SN-0105-3400		NUT(15/64" N = 28)	수평운동조절축너트	2	
G-28	43-008G-1600		SPRING FOR H-23	제어체스프링	1	
G-29	GP-012887-00		KNEE BASE RUBBER	무릎올림봉 받침 캡	1	
G-30	91-108C-1230		OIL CAN(WITH OIL)	오일캔(특종용)	1	
G-31	60-101A-3400		BELT COVER ASS' Y	벨트커버(조)	1	
G-32	-		NEEDLE	바늘	1Set	